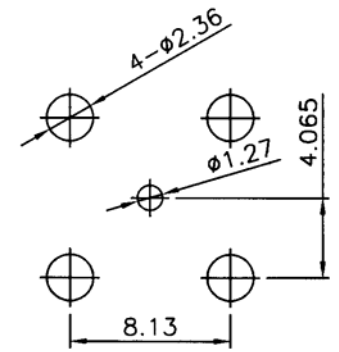
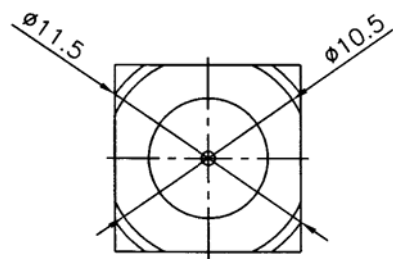
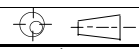


Item	Description	Material	Finish	Qty.
1	Body	Brass	Nickel over copper	1
2	Body	Brass	Nickel over copper	1
3	Contact	Phosphor bronze	Tin	1
4	Contact	Brass	Tin	1
5	Insulator	Polypropylene	White	2
6	Insulator	Delrin	White	1
7	Insulator	Delrin	White	1
8	Nut	Steel	Nickel	1
9	Washer	Steel	Nickel	1



RoHS compliant

Rev.	Description	Date	Approved	Drawing	Name	Date
				Approved	Howard	11/10/03
				Checked	Lizzy	11/10/03
				Drawn	Tina	11/10/03
				0.0 ± 0.35	0.00 ± 0.20	Angles ± 3'



UNIT: mm

**Central Components Manufacturing**  
 440 Lincoln Blvd., Middlesex, New Jersey 08846  
 Phone 732 469-5720 888 288-5152 Fax 732 469-1919

Part No.: **CRF-BJ-7229-BNPTB-A**

Description: Female F connector, right angle, PCB mount