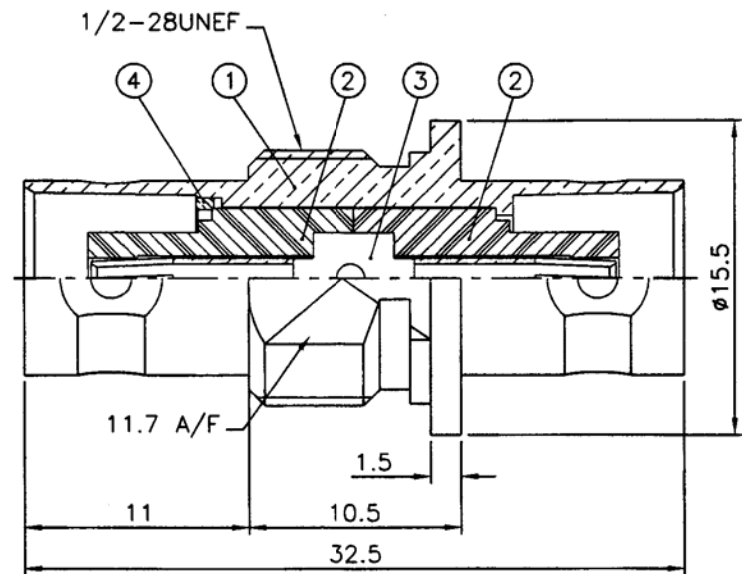


RECOMMENDED MOUNTING HOLE



Item	Name	Material	Finish
1	Body	Brass	Nickel over copper
2	Insulator	Delrin	White
3	Contact pin	Phosphor bronze	Gold over nickel over copper
4	Locking ring	Brass	Nickel over copper
5	Washer	SS41	Nickel over copper
6	Nut	Brass	Nickel over copper

RoHS compliant

Rev.	Description	Date	Approved	Drawing	Name	Date
				Approved	Howard	08/23/03
				Checked	Lizzy	08/23/03
				Drawn	Tina	08/23/03
				0.0 ± 0.35	0.00 ± 0.20	Angles ± 3'
				UNIT: mm		

**Central Components Manufacturing**  
 440 Lincoln Blvd., Middlesex, New Jersey 08846  
 Phone 732 469-5720 888 288-5152 Fax 732 469-1919

Part No.: **CRF-BJ-7062-BNDG**

Description: BNC jack to bulkhead jack adaptor