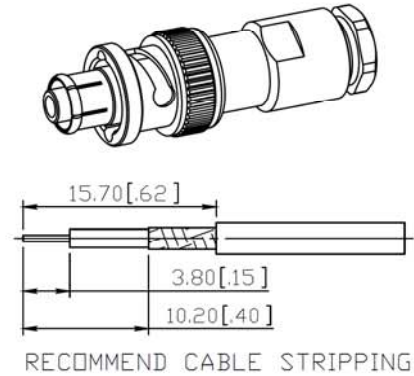
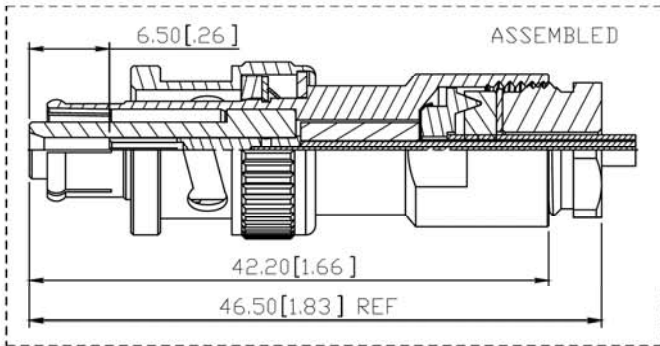


Stretch to $\Phi 8.32 +0.08/-0$
before installing insulator
* 組裝前線徑預開至
 $\Phi 8.32 +0.08/-0$

ACROSS FLAT
11.0[.43]

Item	Name	Material	Finish
1	Insulator	PTFE	
2	Shell	Brass	Nickel
3	Gasket	Rubber	Red
4	Washer	FE	Nickel
4	Inner Retaining Ring	SK5	Nickel
5	Spring	SK5	Nickel
6	Body	Brass	Nickel
7	Center Pin	PH Bronze	Gold 3u"
8	Sleeve	PTFE	
9	Washer	Brass	Nickel
9	Cable Holder	Brass	Nickel
10	Gasket	Silicone	Dark Red
11	Screw	Brass	Nickel



RECOMMEND CABLE STRIPPING

SPECIFICATIONS

Working Voltage: 500 Vrms
Proof Voltage: 1500 Vrms

RoHS compliant

Rev.	Description	Date	Approved	Drawing	Name	Date
				Approved	Howard	5/15/15
				Checked	Lizzy	5/15/15
				Drawn	Tina	5/15/15
				0.0 ± 0.35	0.00 ± 0.20	Angles ± 3'
				UNIT: mm		

Central Components Manufacturing
440 Lincoln Blvd., Middlesex, New Jersey 08846
Phone 732 469-5720 888 288-5152 Fax 732 469-1919

Part No.: **CRF-ADT-SHV49501-TGBG-A**

Description: SHV Plug Clamp for RG174A/U, RG316/U, RG188