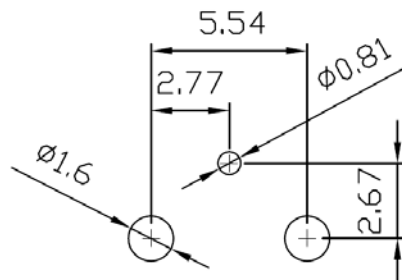
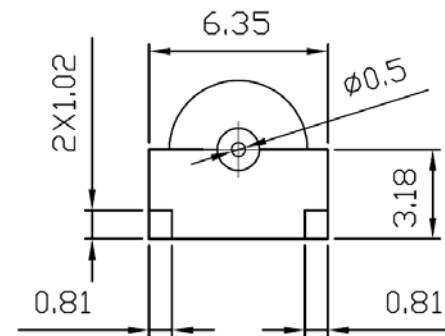
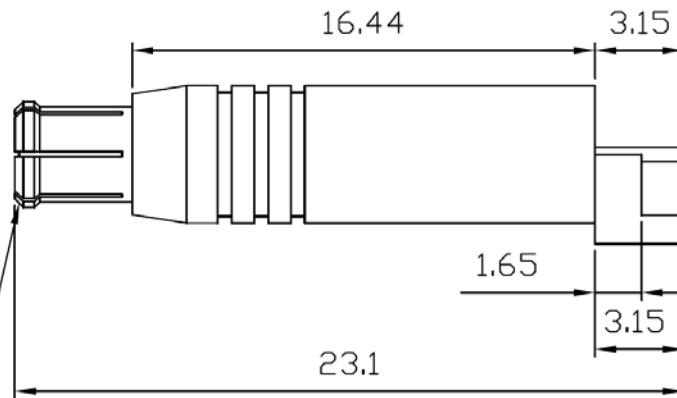


MCX PLUG
INTERFACE



SUGGESTED MOUNTING HOLE PATTERN

RoHS compliant

Item	Name	Material	Finish
1	Body	Brass	Gold Plating
2	Insulator	Teflon	
3	Center Contact	Brass	Gold Plating

Rev.	Description	Date	Approved	Drawing	Name	Date
				Approved	Howard	09/23/15
				Checked	Lizzy	09/23/15
				Drawn	Tina	09/23/15
				0.0 ± 0.35	0.00 ± 0.20	Angles ± 3'
					UNIT: mm	

Central Components Manufacturing
 440 Lincoln Blvd., Middlesex, New Jersey 08846
 Phone 732 469-5720 888 288-5152 Fax 732 469-1919

Part No.: **CRF-ADT-ANT-MCX-SPL074**

Description: MCX Plug Connector