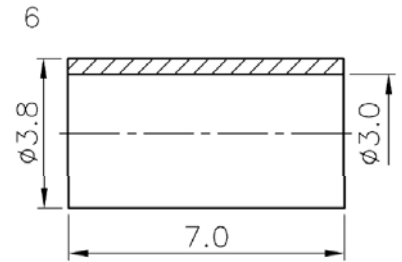
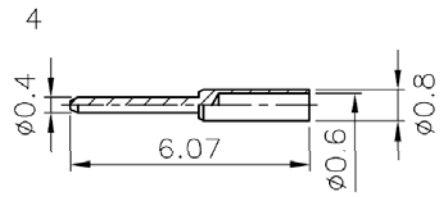
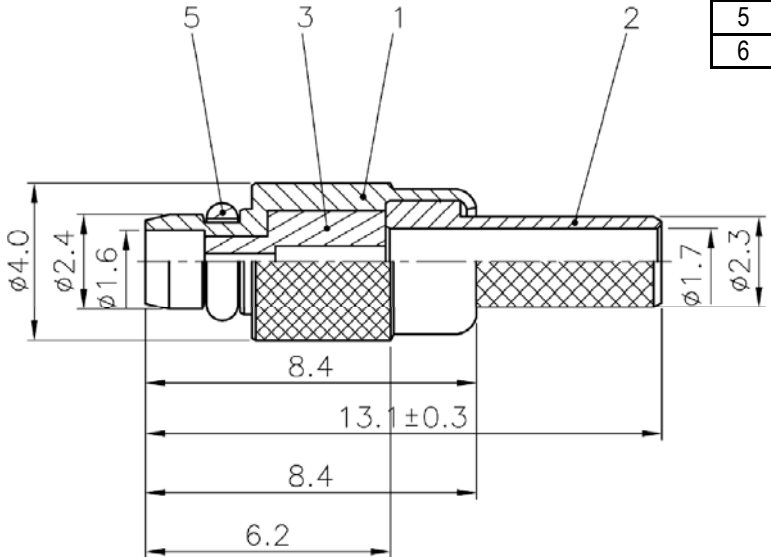
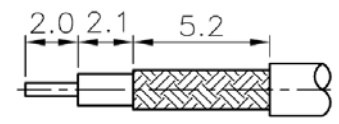


Item	Name	Material	Finish
1	Body	Brass	Gold 5" min.
2	Body	Brass	Gold 5" min.
3	Insulator	Teflon	White
4	Pin	Brass	Gold 30" min.
5	Retainer ring	Beryllium copper	Gold 5" min.
6	Ring	Brass	Gold 5" min.



RoHS compliant

Rev.	Description	Date	Approved	Drawing	Name	Date
				Approved	Howard	09/05/00
				Checked	Lizzy	09/05/00
				Drawn	Tina	09/05/00
				0.0 ± 0.35	0.00 ± 0.20	Angles ± 3'
				UNIT: mm		

**Central Components Manufacturing**  
 440 Lincoln Blvd., Middlesex, New Jersey 08846  
 Phone 732 469-5720 888 288-5152 Fax 732 469-1919

Part No.: **CRF-9702-BGTGD**  
 Description: MMCX crimp plug for RG174/U, 188/U, 316/U