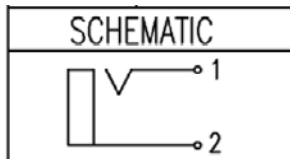
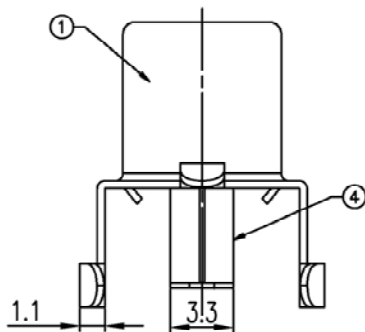


T:1.6 Dimensions of PC board holes
Tolerance : ±0.1(Printed-bottom view)



Ordering Information		
Series	Type	Color
CPRJ	WT4048	XX
RCA Pin Jack	Side Entry Through Hole	BK=Black WT=White YL=Yellow BL=Blue RD=Red GN=Green

Item	Name	Material	Remark
1	Shield	C2680	MB:Cu Cu/Sn Plated
2	Washer	PBT 4815	UL-94V-0
3	Insulator	PBT 4815	UL-94V-0, Black
4	Contact	C2680 t=0.3	MB:Cu Cu/Sn Plated

RoHS compliant

Rev.	Description	Date	Approved	Drawing	Name	Date
				Approved	Howard	10/30/02
				Checked	Lizzy	10/30/02
				Drawn	Tina	10/30/02
				0.0 ± 0.35	0.00 ± 0.20	Angles ± 3'
				UNIT: mm		

Central Components Manufacturing
440 Lincoln Blvd., Middlesex, New Jersey 08846
Phone 732 469-5720 888 288-5152 Fax 732 469-1919

Part No.: **CPRJ-WT4048-XX**

Description: Pin Jack