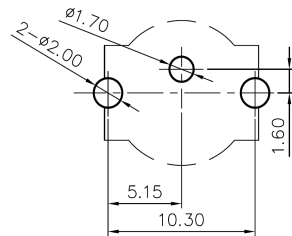
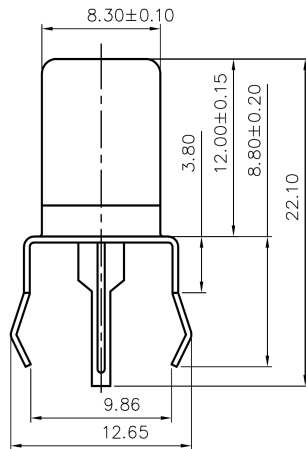
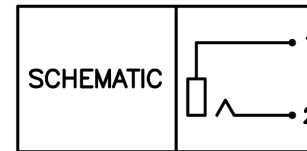


**SPECIFICATIONS**

Shell material: Steel  
 Terminal material: Brass  
 Bushing material: Steel  
 Contact resistance: 30 milliohms max.  
 Insulation resistance: 100 megohms min.  
 Withstanding: 500 VAC/1 min.  
 Insertion force: 3 Kgf max.  
 Extraction force: 0.08 Kgf min.



Pin Hole Layout  
(Jack Bottom View)

Item	Name	Material	Finish
1	Bushing	0.3T Brass	Nickel
2	Mounting Shell	0.4T Iron	Tin
3	Terminal	0.25T Brass	Tin
4	Insulator	PBT	White
5	Insulator	PBT	Black

Series	Style	Bushing Finish	Terminal Finish	Shell Finish	Insulator Color	Options
CPRJ	SCP606	X	X	X	XX	XX
RCA jack	Straight thru-hole	N=Nickel (std) G=Gold	N=Nickel (std) G=Gold T=Tin	T=Tin (std) G=Gold	BK=Black GR=Green BN=Brown BL=Blue RD=Red VI=Violet OR=Orange GY=Gray YL=Yellow WT=White	Blank=None GP=Grounding Plate

RoHS compliant

Rev.	Description	Date	Approved	Drawing	Name	Date
				Approved	Howard	02/15/06
				Checked	Lizzy	02/15/06
				Drawn	Tina	02/15/06
				0.0 ± 0.35	0.00 ± 0.20	Angles ± 3'
				UNIT: mm		

**Central Components Manufacturing**  
 440 Lincoln Blvd., Middlesex, New Jersey 08846  
 Phone 732 469-5720 888 288-5152 Fax 732 469-1919

Part No.: **CPRJ-SP606-X-X-X-XX-XX**

Description: RCA pin jack, vertical, PCB mount