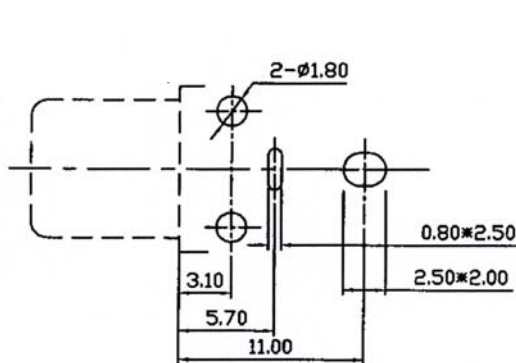
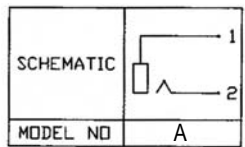
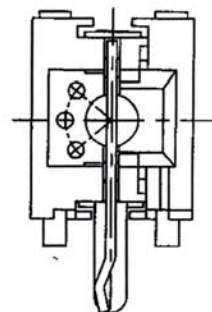
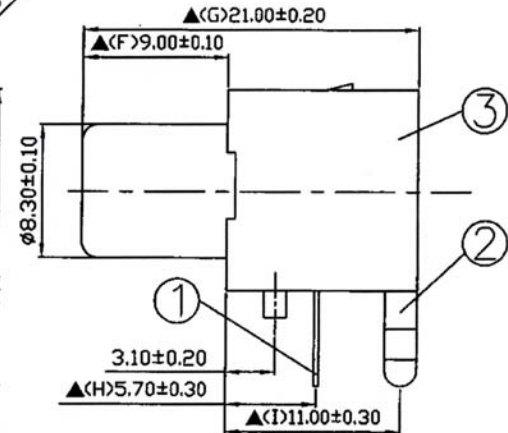
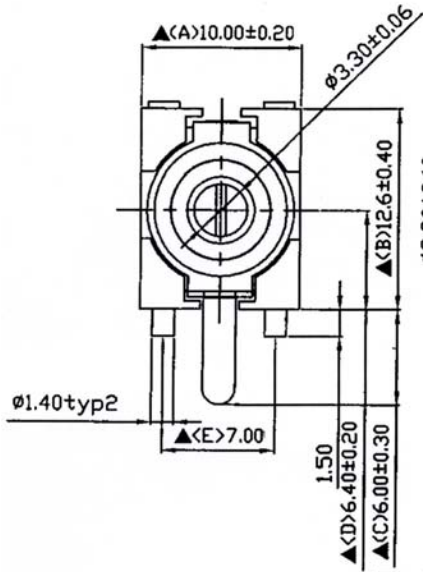


SPECIFICATIONS

Contact Resistance: 30mΩ max
 Insulation Resistance: 100mΩ min at DC 500V
 Withstanding: AC 500V for 1 min



Pin Hole Layout
(Jack Bottom View)



Item	Name	Material	Finish
1	Earth Terminal	0.5T Brass	Nickel
2	Pin	0.6T Brass	Silver
3	Housing	PBT	Red

Series	Style	Schematic	Bushing Plating	Terminal Plating	Housing/Insulator Color
CPRJ	P630	A	X	X	XX
RCA pin jack	Right angle PCB thru-hole mount	See Chart	N=Nickel (std) G=Gold flash	T=Tin (std) S=Silver G=Gold flash	BK=Black GY=Gray RD=Red GR=Green WT=White OR=Orange YL=Yellow BN=Brown BL=Blue

RoHS compliant

Rev.	Description	Date	Approved	Drawing	Name	Date
				Approved	Howard	12/12/05
				Checked	Lizzy	12/12/05
				Drawn	Tina	12/12/05
				0.0 ± 0.35	0.00 ± 0.20	Angles ± 3'
				UNIT: mm		

Central Components Manufacturing
 440 Lincoln Blvd., Middlesex, New Jersey 08846
 Phone 732 469-5720 888 288-5152 Fax 732 469-1919

Part No.: **CPRJ-P630-A-X-X-XX**

Description: RCA pin jack