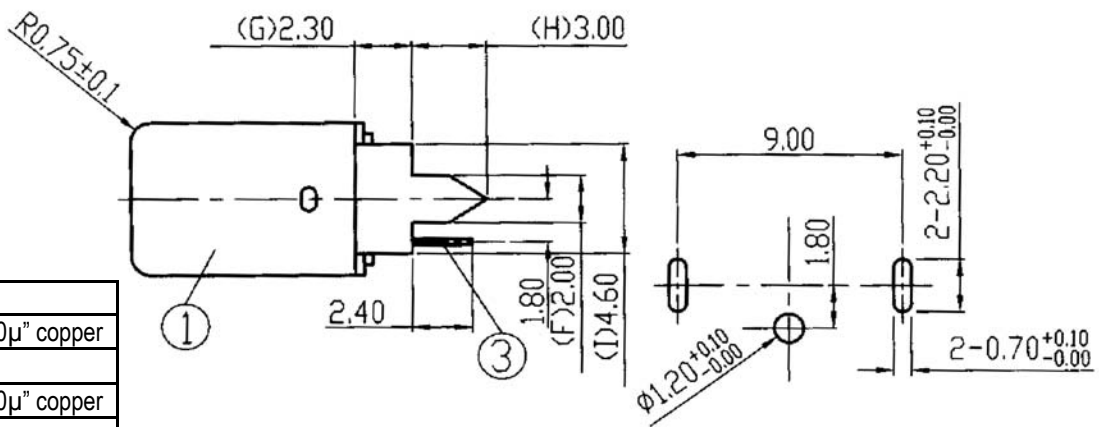


**SPECIFICATIONS**  
 Contact resistance: 30 milliohms max.  
 Insulation resistance: 100 megohms min. at 500VDC  
 Withstanding: 500VAC for 1 min.



Item	Name	Material	Finish
1	Body shell	0.35T iron	100 $\mu$ " tin over 120 $\mu$ " copper
2	Insulator	PBT+15% GF, UL94V-0	Red
3	Center contact	0.25T phosphor bronze	100 $\mu$ " tin over 120 $\mu$ " copper
4	Insulator	PBT+15% GF, UL94V-0	Red

Series	Type	Bushing Plating	Terminal Plating	Shell Plating	Insulator Color
CPRJ	P610	X	X	X	XX
RCA pin jack	Type P610	N=Nickel (std) G=Gold flash	T=Tin (std) N=Nickel G=Gold	T=Tin G=Gold flash	BK=Black BN=Brown YE=Yellow BL=Blue RD=Red OR=Orange GY=Gray GN=Green WT=White

RoHS compliant

Rev.	Description	Date	Approved	Drawing	Name	Date
				Approved	Howard	08/21/06
				Checked	Lizzy	08/21/06
				Drawn	Tina	08/21/06
				0.0 ± 0.35	0.00 ± 0.20	Angles ± 3'
				UNIT: mm		

**Central Components Manufacturing**  
 440 Lincoln Blvd., Middlesex, New Jersey 08846  
 Phone 732 469-5720 888 288-5152 Fax 732 469-1919

Part No.: **CPRJ-P610-X-X-X-XX**

Description: RCA jack, straight panel mount