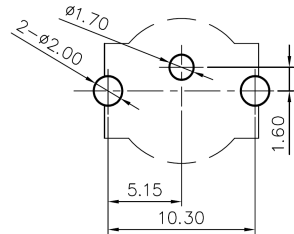
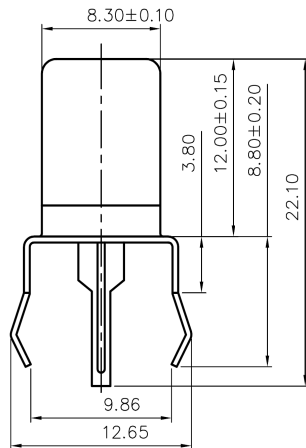
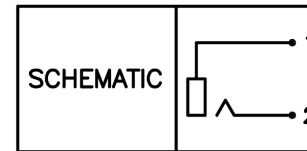


SPECIFICATIONS

Shell material: Steel
 Terminal material: Brass
 Bushing material: Steel
 Contact resistance: 30 milliohms max.
 Insulation resistance: 100 megohms min.
 Withstanding: 500 VAC/1 min.
 Insertion force: 3 Kgf max.
 Extraction force: 0.08 Kgf min.



Pin Hole Layout
(Jack Bottom View)

Item	Name	Material	Finish
1	Bushing	0.3T Brass	Nickel
2	Mounting Shell	0.4T Iron	Tin
3	Terminal	0.25T Brass	Tin
4	Insulator	PBT	White
5	Insulator	PBT	Black
6	Insulator	Bakelite	Black

Series	Style	Bushing Finish	Terminal Finish	Shell Finish	Insulator Color	Options
CPRJ	P606	X	X	X	XX	XX
RCA jack	Straight thru-hole	N=Nickel (std) G=Gold	T=Tin (std) G=Gold	T=Tin (std) G=Gold	BK=Black GR=Green BN=Brown BL=Blue RD=Red GY=Gray OR=Orange WT=White YL=Yellow	Blank=None GP=Grounding Plate

RoHS compliant

Rev.	Description	Date	Approved	Drawing	Name	Date
				Approved	Howard	02/15/06
				Checked	Lizzy	02/15/06
				Drawn	Tina	02/15/06
				0.0 ± 0.35	0.00 ± 0.20	Angles ± 3'
				UNIT: mm		

Central Components Manufacturing
 440 Lincoln Blvd., Middlesex, New Jersey 08846
 Phone 732 469-5720 888 288-5152 Fax 732 469-1919

Part No.: **CPRJ-P606-X-X-X-XX-XX**

Description: RCA pin jack, vertical, PCB mount