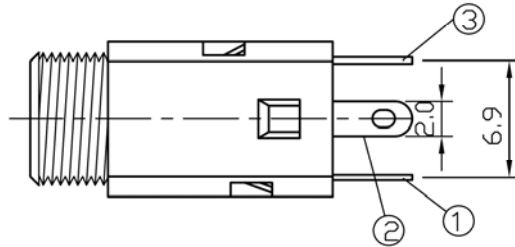
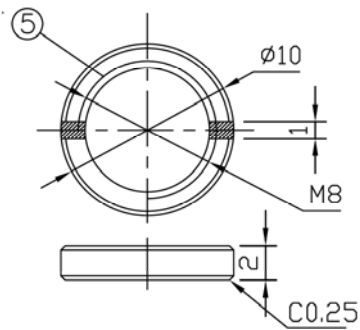


T:1.6 Dimensions of PC board holes
Tolerance : ±0.05(Printed-top view)



Item	Name	Material	Finish
1	Spring Piece	C5191 t=0.25	Ag Plated
2	Spring Piece	C5191 t=0.25	Ag Plated
3	Contact Foot	C2680 t=0.35	Ag Plated
4	Housing	PBT 4815	UL-94V-0
5	Nut	H59 (copper alloy)	Ni Plated

Series	Style	Bushing	Schematic	Bushing Plating	Terminal Plating	Housing Color	Options
CPJ	WTJ03532	XX	X	X	X	XX	XX
Phone Jack	WTJ03532	P=Plastic	B, D, E See diagram	E=None	G=Gold	BK=Black (std)	Blank=None R=Round Nut

RoHS compliant

Rev.	Description	Date	Approved	Drawing	Name	Date
				Approved	Howard	12/11/13
				Checked	Lizzy	12/11/13
				Drawn	Tina	12/11/13
				0.0 ± 0.35	0.00 ± 0.20	Angles ± 3'
				UNIT: in		

Central Components Manufacturing
 440 Lincoln Blvd., Middlesex, New Jersey 08846
 Phone 732 469-5720 888 288-5152 Fax 732 469-1919

Part No.: **CPJ-WTJ03532-P-E-E-G-BK-X**

Description: 3.5 Phone Jack