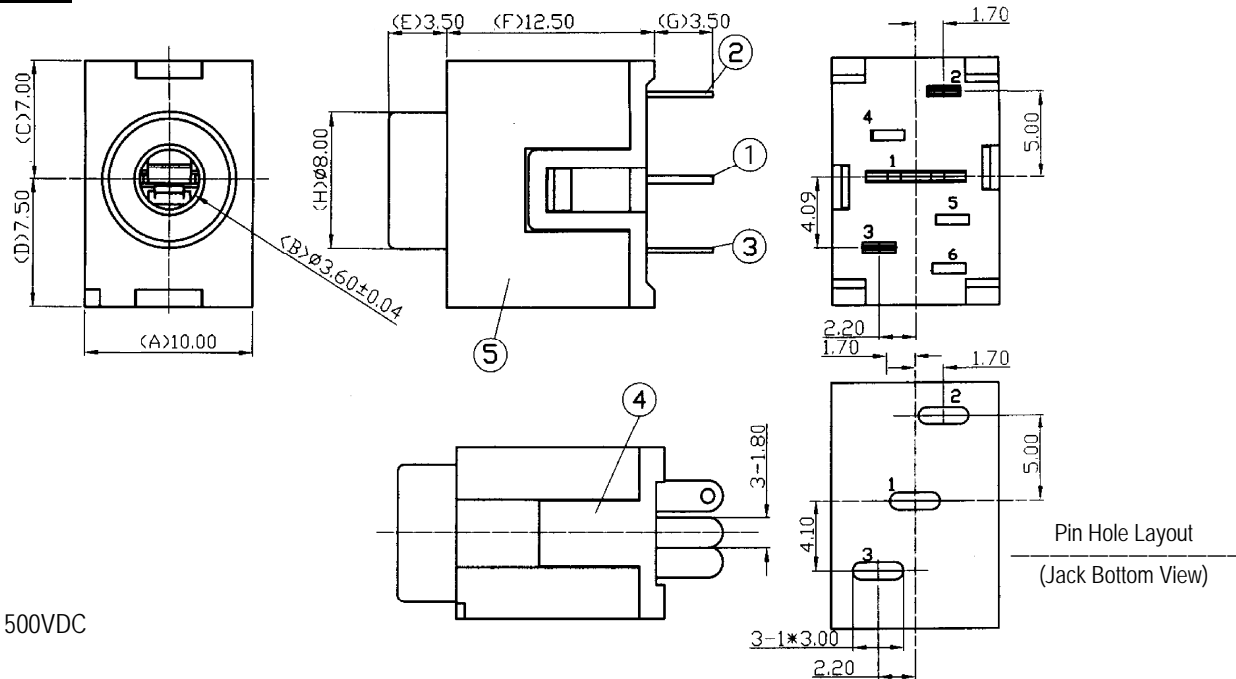
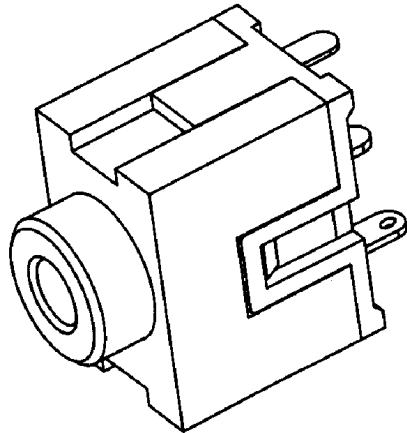
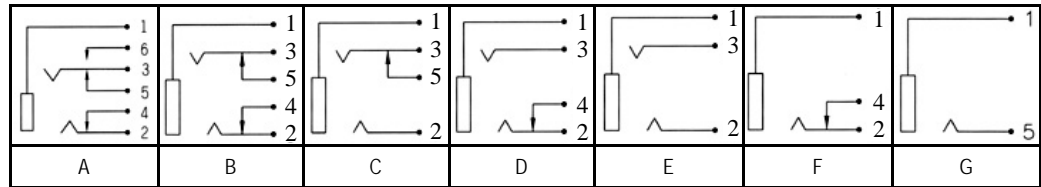


| Item | Name | Material | Finish |
|------|-----------------|-----------------------|--------|
| 1 | Ground terminal | Bronze 0.5T | Silver |
| 2 | Tip spring | Phosphor bronze 0.3T | Silver |
| 3 | Ring spring | Phosphor bronze 0.25T | Silver |
| 4 | Cover | PA9T | Black |
| 5 | Housing | PBT+15% glass fiber | Nickel |



SPECIFICATIONS
 Contact resistance: 30 milliohms max.
 Insulation resistance: 100 megohms min. at 500VDC
 Withstanding: 500VAC for 1 min.

| Series | Style | Bushing | Schematic | Bushing Plating | Terminal Plating | Housing Color | Options |
|------------|---------------------------|--|-----------------|-----------------|-----------------------------------|---|--|
| CPJ | J364 | X | X | E | X | XX | X |
| Phone jack | ø3.5mm straight PCB mount | P=Plastic bushing PT=Plastic threaded bushing | See table (A-G) | E=None | S=Silver (std) T=Tin G=Gold | BK=Black RD=Red GN=Green BL=Blue GY=Gray BG=Beige | [blank]=None H=M8 hex nut R=M8 round nut |

RoHS compliant

| Rev. | Description | Date | Approved | Drawing | Name | Date |
|------|-------------|------|----------|------------|-------------|-------------|
| | | | | Approved | Howard | 08/10/99 |
| | | | | Checked | Lizzy | 08/10/99 |
| | | | | Drawn | Tina | 08/10/99 |
| | | | | 0.0 ± 0.35 | 0.00 ± 0.20 | Angles ± 3' |
| | | | | UNIT: mm | | |

Central Components Manufacturing
 440 Lincoln Blvd., Middlesex, New Jersey 08846
 Phone 732 469-5720 888 288-5152 Fax 732 469-1919

Part No.: **CPJ-J364-P-X-E-X-XX-X**

Description: Phone jack, ø3.5mm, straight PCB mount