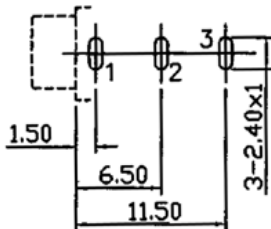
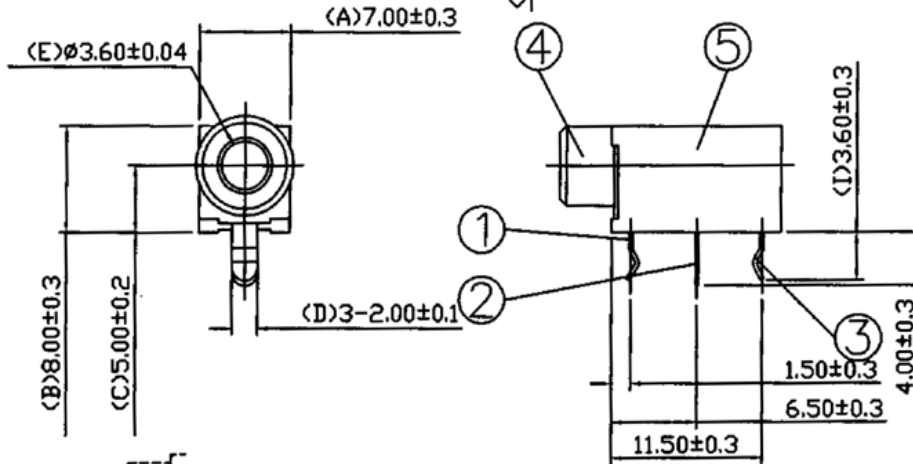


SPECIFICATIONS

Contact resistance: 30 milliohms max.
 Insulation resistance: 100 megohms min. @ 500VDC
 Withstanding: 500VAC for 1 min.
 Insertion/extraction force: 0.4 to 2.0kg initial
 0.3 to 2.0kg after life test
 Durability: 5,000 cycles



Item	Name	Material	Finish
1	Earth terminal	Brass, 0.3T	Silver
2	Tip spring	Phosphor bronze, 0.2T	Silver
3	Break terminal	Brass, 0.3T	Silver
4	Barrel (w/ thread)	Brass	Nickel
5	Housing	PBT	Black
6	Cover	PoM	Black

Series	Style	Bushing	Bushing Plating	Terminal Plating	Options
CPJ	J357	X	X	X	X
Phone jack	ø3.5mm right-angle, PCB mount	M=Metal MT=Metal w/ M6 thread MP=Metal w/ plastic cover	N=Nickel (std) G=Gold	S=Silver (std) T=Tin G=Gold	[blank]=None R=Round nut H=Hex nut

RoHS compliant

Rev.	Description	Date	Approved	Drawing	Name	Date
				Approved	Howard	12/08/05
				Checked	Lizzy	12/08/05
				Drawn	Tina	12/08/05
				0.0 ± 0.35	0.00 ± 0.20	Angles ± 3'
				UNIT: mm		

Central Components Manufacturing
 440 Lincoln Blvd., Middlesex, New Jersey 08846
 Phone 732 469-5720 888 288-5152 Fax 732 469-1919

Part No.: **CPJ-J357-X-X-X-X**

Description: Phone jack, ø3.5mm