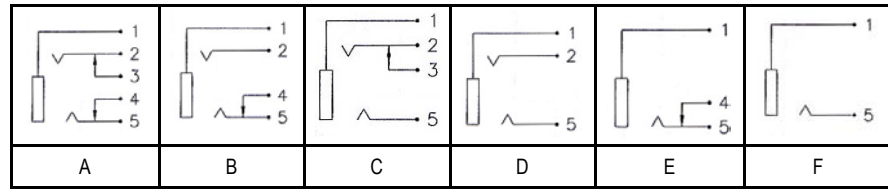
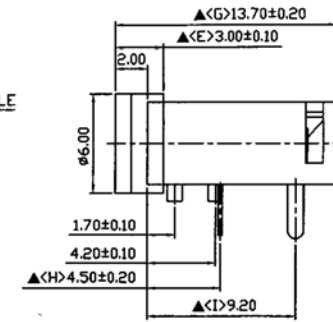
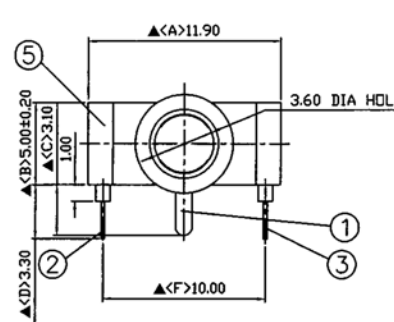
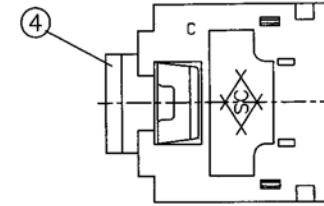
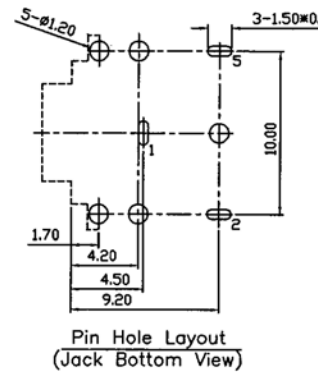


Item	Name	Material	Finish
1	Earth terminal	0.25T Phosphor Bronze	Silver
2	Ring Spring	TicuR1-M-EH	Silver
3	Tip Spring	TicuR1-M-EH	Silver
4	Barrel	Brass	Nickel
5	Housing	PBT	Black



SPECIFICATIONS

Terminal Material: Brass / Phosphor Bronze
 Contact resistance: 30 milliohms max.
 Housing Material: Thermoplastic
 Insulation resistance: 100 megohms min. at 500VDC
 Insertion Force: 0.4 to 2.0kgs
 Durability: 5000 cycles
 Withstanding: 500VAC for 1 min.



Series	Style	Bushing	Schematic	Bushing Plating	Terminal Plating	Color
CPJ	J355	XX	X	X	X	BK
Phone jack	ø3.5mm Side Entry PCB Mount	P=Plastic PR=Plastic w/ Metal Inset RP=Plastic w/ Metal Face PT=Plastic threaded bushing	A=F	Blank=None N=Nickel (STD) G=Gold	S=Silver (STD) T=Tin G=Gold	BK=Black (STD) Other colors available

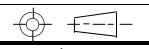
RoHS compliant

Rev.	Description	Date	Approved	Drawing	Name	Date
				Approved	Howard	12/07/05
				Checked	Lizzy	12/07/05
				Drawn	Tina	12/07/05
				0.0 ± 0.35	0.00 ± 0.20	Angles ± 3'

Central Components Manufacturing
 440 Lincoln Blvd., Middlesex, New Jersey 08846
 Phone 732 469-5720 888 288-5152 Fax 732 469-1919

Part No.: **CPJ-J355-RP-D-X-X-BK**

Description: Phone jack, ø3.5mm, Side Entry PCB Mount



UNIT: mm