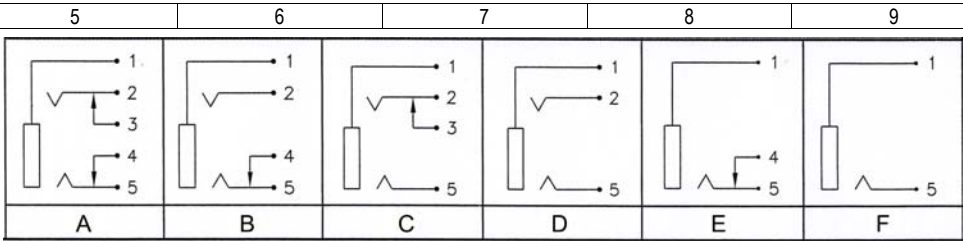
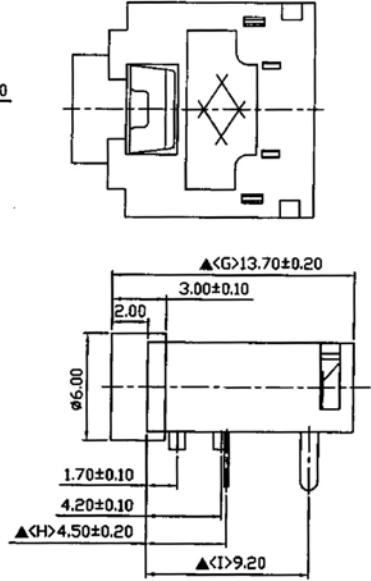
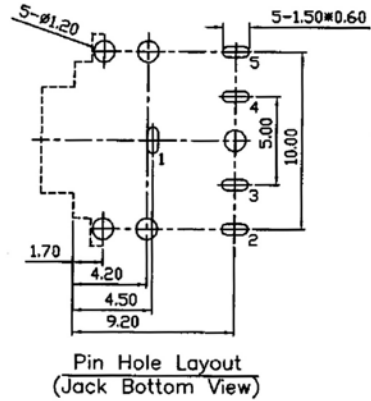
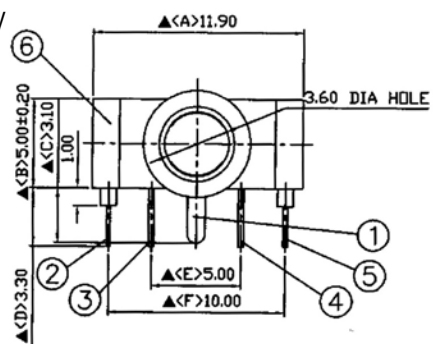


Item	Name	Material	Finish
1	Earth Terminal	0.25T Phosphor Bronze	Silver
2	Ring Spring	0.2T TicuR-1-M-EH	Silver
3	Break Terminal	0.3T Brass	Silver
4	Break Terminal	0.3T Brass	Silver
5	Tip Spring	0.25T TicuR1-M-EH	Silver
6	Housing	PBT	Black



SPECIFICATIONS

Contact Resistance: 30mΩ max
 Insulation Resistance: 100MΩ min. at DC 500V
 Withstanding: AC 500V for 1 min.



Series	Style	Bushing	Schematic	Bushing Plating	Terminal Plating	Housing Color
CPJ	J355	X	X	E	X	XX
Phone Jack	Ø3.5mm right angle PCB mount	P=Plastic Bushing PR=Plastic with metal ring RP=Plastic with metal cover	See table A-F	E=None (P) S=Silver (std) N=Nickel G=Gold	S=Silver (std) T=Tin G=Gold	BK=Black (std) RD=Red GN=Green BL=Blue GY=Gray BG=Beige

RoHS compliant

Rev.	Description	Date	Approved	Drawing	Name	Date
				Approved	Howard	12/06/05
				Checked	Lizzy	12/06/05
				Drawn	Tina	12/06/05
				0.0 ± 0.35	0.00 ± 0.20	Angles ± 3'
				UNIT: mm		

Central Components Manufacturing
 440 Lincoln Blvd., Middlesex, New Jersey 08846
 Phone 732 469-5720 888 288-5152 Fax 732 469-1919

Part No.: **CPJ-J355-P-B-S-S-BK**

Description: 3.5mm Phone Jack

G

G