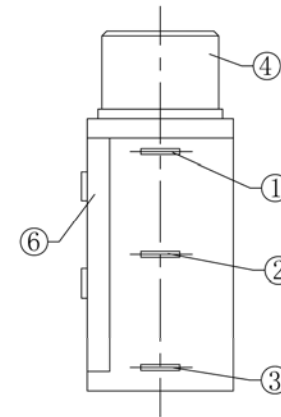
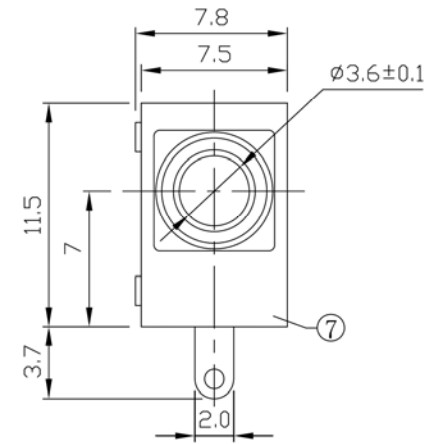
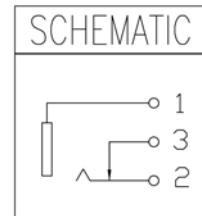


T:1.6 Dimensions of PC board holes
Tolerance : ±0.05(Printed-top view)



Item	Name	Material	Finish
1	Flat Piece	C2680 t=0.30	Sn Plated
2	Top Spring	C5191 t=0.30	Sn Plated
3	Curve Piece	C2680 t=0.35	Sn Plated
4	Axis Support	H59 (copper alloy)	MB: Cu Cu/Sn Plated
5	Spring	SWC	
6	Cover	PC	Transparent
7	Housing	PBT 4815	UL-94V0 Black



Series	Style	Bushing	Schematic	Bushing Plating	Terminal Plating	Housing Color
CPJ	J3542	X	A	X	X	BK
Phone Jack	Side Entry Through Hole	M=Metal MT=Metal Threaded	See Chart	N=Nickel (std) S=Silver G=Gold	S=Silver (std) T=Tin G=Gold	BK=Black Other colors available

RoHS compliant

Rev.	Description	Date	Approved	Drawing	Name	Date
				Approved	Howard	08/29/08
				Checked	Lizzy	08/29/08
				Drawn	Tina	08/29/08
				0.0 ± 0.35	0.00 ± 0.20	Angles ± 3'
					UNIT: mm	

Central Components Manufacturing
440 Lincoln Blvd., Middlesex, New Jersey 08846
Phone 732 469-5720 888 288-5152 Fax 732 469-1919

Part No.: **CPJ-J3542-MT-A-N-S-BK**

Description: Miniature Jack