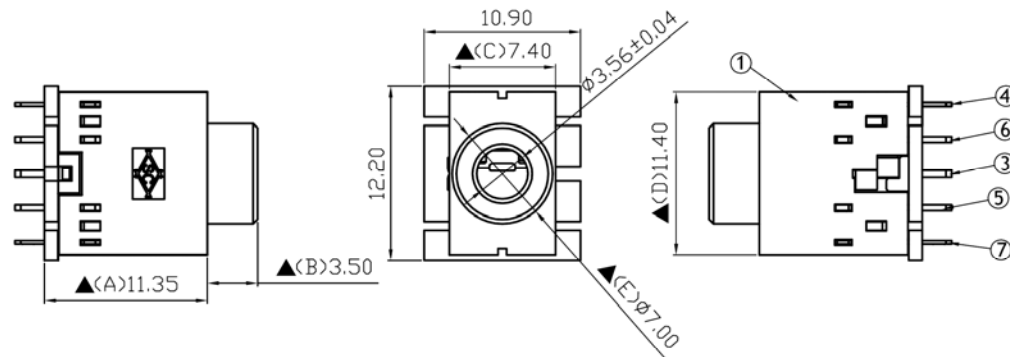




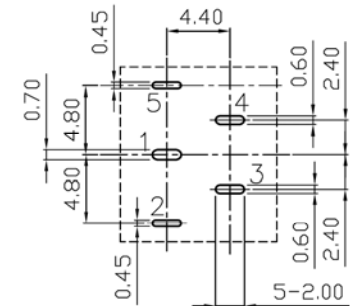
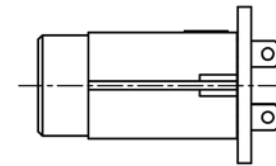
PR



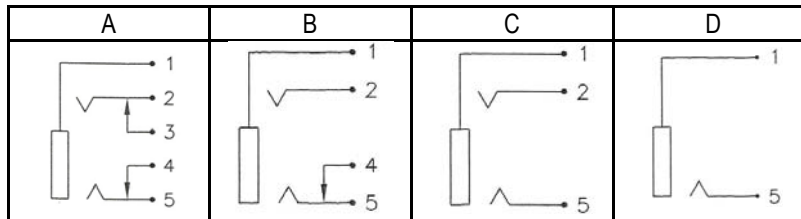
P



Item	Name	Material	Finish
1	Housing	PBT	Black
2	Cover	PBT+30%	Black
3	Earth Terminal	0.5T Bronze	Silver Plated
4	Tip Spring	0.25T Phosphor Copper	Silver Plated
5	Break Terminal	0.4T Bronze	Silver Plated
6	Break Terminal	0.4T Bronze	Silver Plated
7	Ring Spring	0.25T Phosphor Copper	Silver Plated



Pin Hole Layout
(Jack Bottom View)



SPECIFICATIONS
 Contact Resistance: 30mΩ max.
 Insulation Resistance: 100MΩ min. At DC 500V
 Withstanding: AC 500V for 1 minute

Series	Type	Bushing	Schematic	Bushing Plating	Terminal Plating	Housing Color
CPJ	J303	X	X	E	X	BK
Phone Jack	J303	P=Plastic PR=Plastic With Metal Ring	P: A, B, C PR: A, B, C, D	E=None	S=Silver (std) T=Tin G=Gold	BK=Black Other colors avail- able

RoHS compliant

Rev.	Description	Date	Approved	Drawing	Name	Date
				Approved	Howard	08/25/05
				Checked	Lizzy	08/25/05
				Drawn	Tina	08/25/05
				0.0 ± 0.35	0.00 ± 0.20	Angles ± 3'
				UNIT: in		

Central Components Manufacturing
 440 Lincoln Blvd., Middlesex, New Jersey 08846
 Phone 732 469-5720 888 288-5152 Fax 732 469-1919

Part No.: **CPJ-J303-X-X-E-X-BK**

Description: 3.5 Phone Jack, Vertical PCB Mount