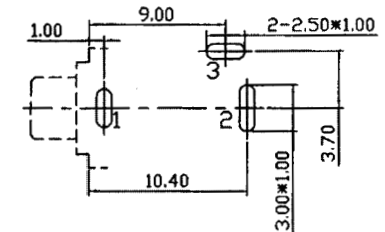
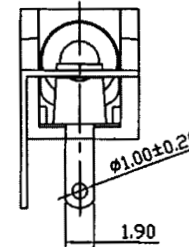
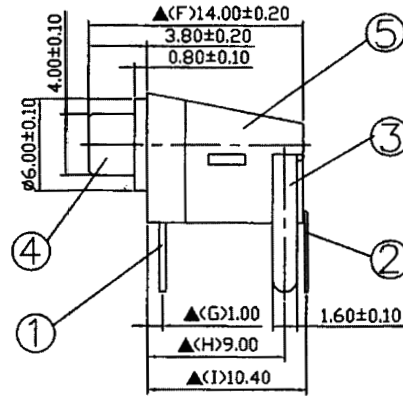
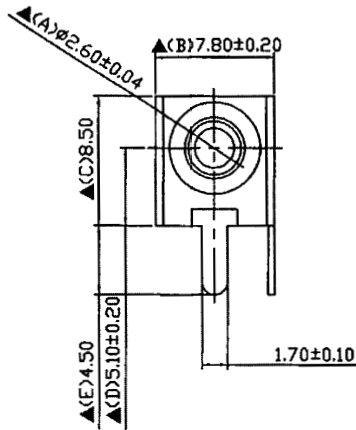


SPECIFICATIONS

Contacts:	Phosphor bronze
Contact resistance:	30 milliohms max.
Terminals:	Brass/copper alloy
Housing:	Thermoplastic
Insulation resistance:	100 megohms min. at 500 VDC
Withstanding:	500 VAC/1 min.
Insertion/extraction:	0.3-2.0kgs
Durability:	5000 cycles min.



Ordering Information						
Series	Type	Bushing	Busing Plating	Terminal Plating	Housing Color	Options
CPJ	J218	X	X	X	BK	X
Phone jack	2.5mm through hole	M=Metal MT=Threaded metal	N=Nickel (std) G=Gold	S=Silver (std) T=Tin G=Gold	BK=Black Other colors available	Blank=None H=Hex nut M4 R=Round nut M4

RoHS compliant

Rev.	Description	Date	Approved	Drawing	Name	Date
				Approved	Howard	8/10/99
				Checked	Lizzy	8/10/99
				Drawn	Tina	8/10/99
				0.0 ± 0.35	0.00 ± 0.20	Angles ± 3'
						UNIT: mm

Central Components Manufacturing
 440 Lincoln Blvd., Middlesex, New Jersey 08846
 Phone 732 469-5720 888 288-5152 Fax 732 469-1919

Part No.: **CPJ-J218-M-N-S-BK-X**

Description: 2.5mm phone jack, side entry through hole with switch