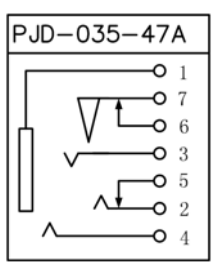
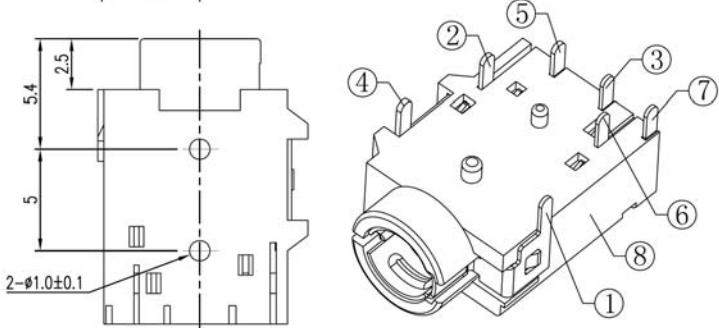
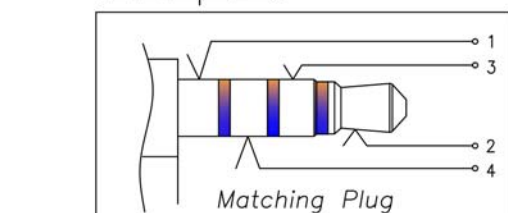


T:1.6 Dimensions of PC board holes
Tolerance : ±0.05(Printed-top view)



Item	Name	Material	Finish
1	Earth Terminal	C5191 t=0.25	Au Plated
2	Tip Spring	C5191 t=0.25	Ag Plated
3	Ring Spring	SUS301 t=0.20	Ag Plated
4	Ring Spring	C5191 t=0.30	Ag Plated
5	Shunt Terminal	C5191 t=0.25	Ag Plated
6	Break Terminal	C5191 t=0.20	Ag Plated
7	Transfer Terminal	SUS301 t=0.20	Ag Plated
8	Housing	PBT 4815 UL94V-0	Black



UNLESS OTHERWISE SPECIFIED, TOLERANCE ON DECIMAL: ±0.3

RoHS compliant

Series	Type	Version	Options
CPJ	HE035	47	XX
Phono Jack	3.5mm Side Entry	4 Position w/ Switching	Blank=None CP=Centering Peg

Rev.	Description	Date	Approved	Drawing	Name	Date
				Approved	Howard	12/03/10
				Checked	Lizzy	12/03/10
				Drawn	Tina	12/03/10
				0.0 ± 0.35	0.00 ± 0.20	Angles ± 3°
				UNIT: mm		

Central Components Manufacturing
440 Lincoln Blvd., Middlesex, New Jersey 08846
Phone 732 469-5720 888 288-5152 Fax 732 469-1919

Part No.: **CPJ-HE035-47-CP**

Description: Miniature Jack