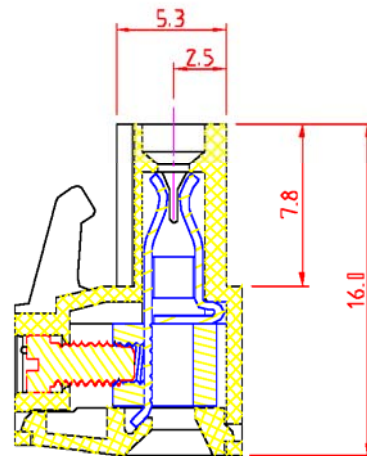
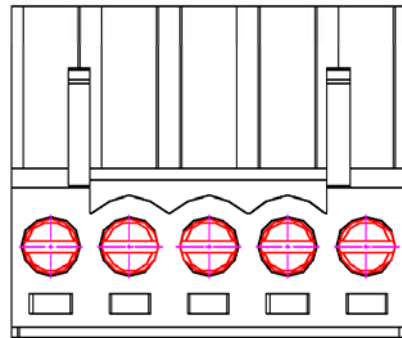


N=Number of contacts.



SPECIFICATIONS

- Current Rating: 8 Amps max.
- Voltage Rating: 300V AC
- Contact Material: Brass
- Contact Resistance: 20mΩ max.
- Terminal: Steel Galvanized and Chromitized
- Wire Guard: PhBz, Tin Plated
- Insulation Material: Polyamide, UL94V-0
- Insulation Resistance: 5000MΩ / 1000V
- Wire Range: 16-28AWG
- Withstanding: 1500VAC
- Torque: 2kgf.cm/M2
- Operating Temp: -30°C to +105°C

Series	Style	Pitch	Positions	Color
CMTB	VD-381	XXX	XX	GN
Terminal block	Vertical closed end plug-able	381=3.81mm	02-24	GN=Green BK=Black BL=Blue GY=Grey

RoHS compliant

Rev.	Description	Date	Approved	Drawing	Name	Date
				Approved	Howard	01/07/03
				Checked	Lizzy	01/07/03
				Drawn	Tina	01/07/03
				0.0 ± 0.35	0.00 ± 0.20	Angles ± 3'
				UNIT: mm		

Central Components Manufacturing
 440 Lincoln Blvd., Middlesex, New Jersey 08846
 Phone 732 469-5720 888 288-5152 Fax 732 469-1919

Part No.: **CMTB-VD-381-XX-XX**

Description: Vertical closed end plug-able terminal block