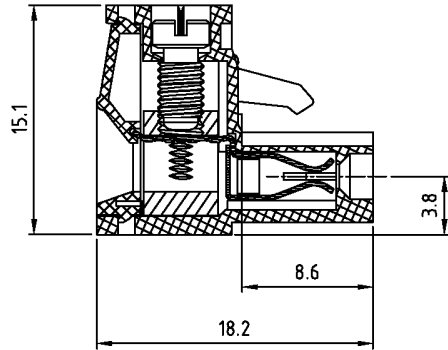


N=Number of contacts



**SPECIFICATIONS**

Current Rating:	20A
Voltage Rating:	300VAC
Terminal Material:	Brass
Terminal Screw:	Steel w/ Zinc plating
Wire Guard:	PhBz, Tin plated
Insulation Material:	Thermoplastic UI94V-0
Wire Range:	2.5mm <sup>2</sup> /0.34-2.5mm <sup>2</sup>
Solid Wire:	12-24
Stranded Wire:	12-24
Torque:	5Lb-In/0.5Nm/0.56Nm
Screw:	M3
Wire Strip Length:	7-8mm
Withstanding:	1.6KV/2.5KV/2.5KV
Operating Temp:	-30°C to +105°C

Series	Type	Pitch		Poles	Color
CMTB	TJX	500		XX	XX
Terminal Block	TJ=No Flange	350=3.5mm	700=7mm	02-24	BK=Black
	TJF=With	381=3.81mm	762=7.62mm		GN=Green
	Mounting Flange	500=5mm	1000=10mm		BL=Blue
		508=5.08mm	1016=10.16mm		GY=Gray

RoHS compliant

Rev.	Description	Date	Approved	Drawing	Name	Date
				Approved	Howard	02/10/09
				Checked	Lizzy	02/10/09
				Drawn	Tina	02/10/09
				0.0 ± 0.35	0.00 ± 0.20	Angles ± 3'
				UNIT: mm		

**Central Components Manufacturing**  
 440 Lincoln Blvd., Middlesex, New Jersey 08846  
 Phone 732 469-5720 888 288-5152 Fax 732 469-1919

Part No.: **CMTB-TJ-500-XX-XX**

Description: Terminal Block TJ-500 Series, top entry