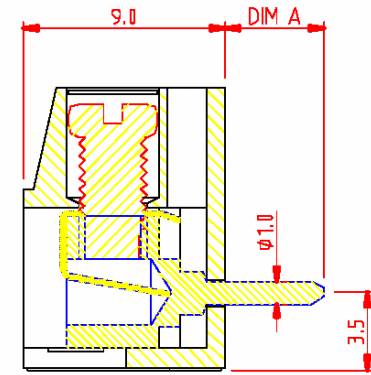
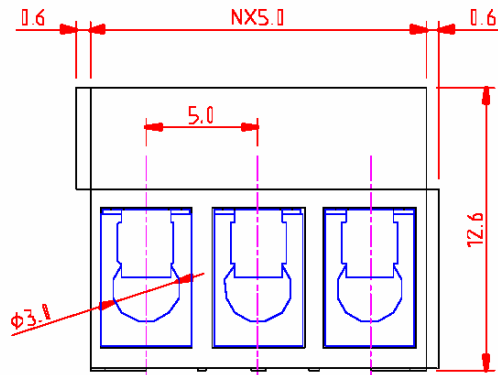


P.C.B. LAYOUT



SPECIFICATIONS
 Current rating: 16 amps max.
 Voltage rating: 250VAC
 Contact housing: Brass
 Contact resistance: 20 milliohms max.
 Insulation resistance: 5000 megohms/1000V
 Withstanding: 1500 VAC/one minute
 Terminal screw: Steel galvanized and chromated or nickel plated or tin plated
 Wire guard: Stainless steel
 Solder tail: Tin plated
 Torque: 4kgf.cm/M3
 Temperature range: -33°C to +120°C
 Wire range: 14-22 AWG

Series	Type	Pitch	Positions	Color
CMTB	TBX	XXX	XX	XX
Terminal block	TB0=4.4mm tail TB1=3.8mm tail TB2=3.5mm tail	500=5mm 508=5.08mm 1000=10mm 1016=10.16mm	2-30 (500&508) 2-15 (1000&1016)	BL=Blue GN=Green BK=Black GY=Gray

RoHS compliant

Rev.	Description	Date	Approved	Drawing	Name	Date
				Approved	Howard	08/10/99
				Checked	Lizzy	08/10/99
				Drawn	Tina	08/10/99
				0.0 ± 0.35	0.00 ± 0.20	Angles ± 3'
				UNIT: mm		

Central Components Manufacturing
 440 Lincoln Blvd., Middlesex, New Jersey 08846
 Phone 732 469-5720 888 288-5152 Fax 732 469-1919

Part No.: **CMTB-TB1-500-XX-BL**

Description: Terminal block, top entry, 5.00mm pitch