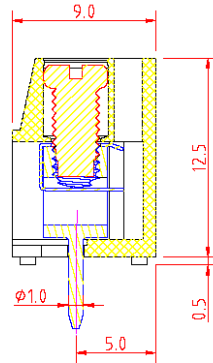
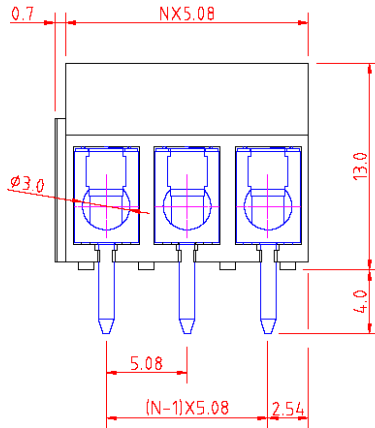


1000, 1016, 1500 pitch

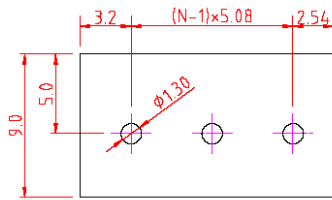
500, 508, 750 pitch

SPECIFICATIONS

Voltage rating:	250VAC
Current rating:	16 amps max.
Contact material:	Brass
Contact plating:	Solder tail tin plated
Housing material:	Copper zinc
Contact resistance:	20 milliohms max.
Insulator body:	Polyamide, glass filled, UL94V-0
Insulation resistance:	5000 megohms min. at 1000V
Withstanding:	1500VAC for 1 min.
Terminal screw:	Galvanized steel, chromated; nickel or tin plate
Wire guard:	Stainless steel
Wire range:	14-22AWG
Torque:	4kg-cm
Operating temp.:	-33°C to +120°C
Soldering ability:	95% coverage min.
	Test temp. 230°C±10°C
	Test time 4sec.±0.5sec.
Solder reliability:	Test temp. 250°C±10°C
	5 sec. max.



N=Number of contacts



P.C.B. LAYOUT

RoHS compliant

Series	Type	Pitch	Positions	Color
CMTB	TA1M	XXX	XX	XX
Terminal block	Side entry, top screw	500=5.00mm 1000=10.00mm 508=5.08mm 1016=10.16mm 750=7.50mm 1500=15.00mm	2-30 for 500-750 pitch 2-15 for 1000-1500 pitch	BK=Black BL=Blue GN=Green GY=Gray

Rev.	Description	Date	Approved	Drawing	Name	Date
				Approved	Howard	08/10/99
				Checked	Lizzy	08/10/99
				Drawn	Tina	08/10/99
				0.0 ± 0.35	0.00 ± 0.20	Angles ± 3'
				UNIT: mm		



Central Components Manufacturing

440 Lincoln Blvd., Middlesex, New Jersey 08846
Phone 732 469-5720 888 288-5152 Fax 732 469-1919

Part No.: **CMTB-TA1M-508-XX-XX**

Description: Terminal block, modular, side entry, top screw, PCB mount