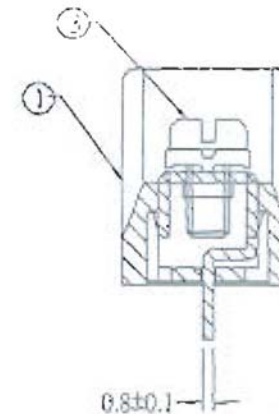
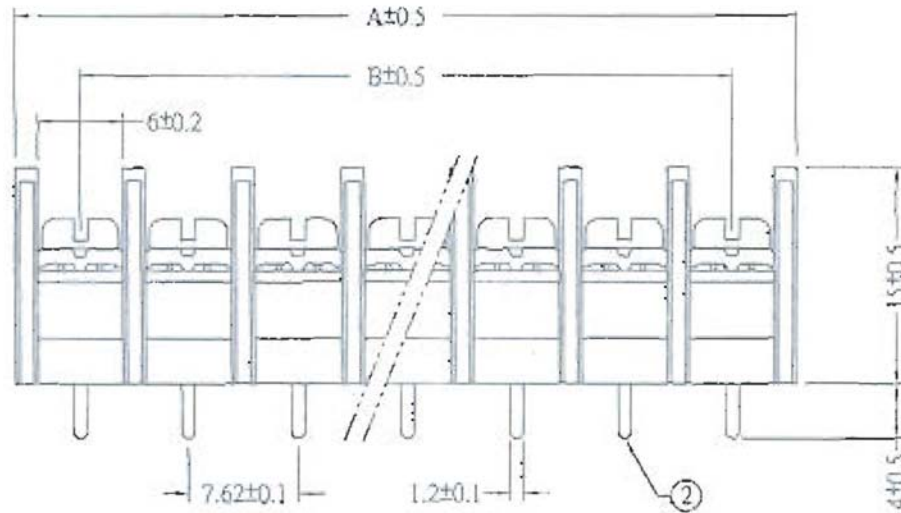


SPECIFICATIONS

Current Rating: 10 Amp AC300V
 Insulation Resistance: >2000MΩ DC500V
 Wire Range: 12-22AWG
 Screw Torque: 8 lb-inch
 Withstanding: AC2000V min
 Operating Temp: -40°C to +120°C

Item	Name	Material	Finish
1	Insulating Body	PBT (UL94V-0)	Black
2	Terminal	Brass	Tin Plated
3	Screw	Steel	Ni Plated



RoHS compliant

Rev.	Description	Date	Approved	Drawing	Name	Date
				Approved	Howard	12/29/05
				Checked	Lizzy	12/29/05
				Drawn	Tina	12/29/05
				0.0 ± 0.35	0.00 ± 0.20	Angles ± 3'
				UNIT: mm		

Central Components Manufacturing
 440 Lincoln Blvd., Middlesex, New Jersey 08846
 Phone 732 469-5720 888 288-5152 Fax 732 469-1919

Part No.: **CMTB-T21M10-762-XX-BK**

Description: Terminal Block