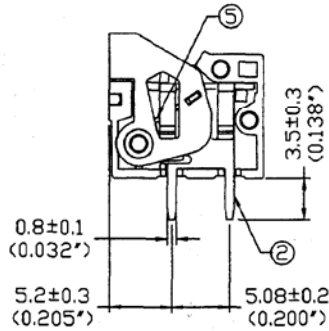
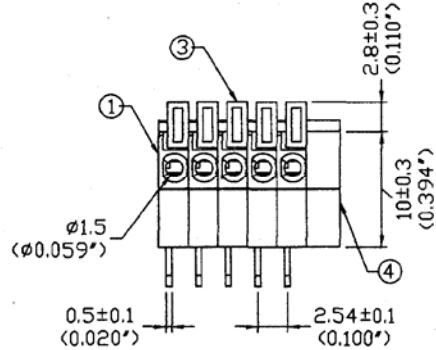
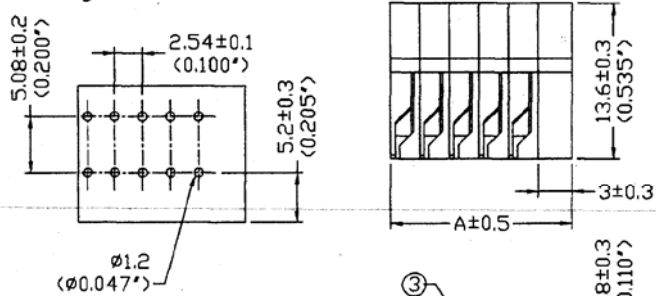


PCB Layout



SPECIFICATIONS

Current Rating: 6 Amp AC150V
 Insulation Resistance: 2000MΩ min DC500V
 Wire Strip Length: 10mm
 Wire Range: 20~26 AWG
 Withstanding: AC 2000V min
 Operating Temp: 40°C to +105°C

Dimensions mm			
Poles	A	Poles	A
2	8.08	15	41.10
3	10.62	16	43.64
4	13.16	17	46.18
5	15.70	18	48.72
6	18.24	19	51.26
7	20.78	20	53.80
8	23.32	21	56.34
9	25.86	22	58.88
10	28.40	23	61.42
11	30.94	24	63.96
12	33.48	25	66.50
13	36.02		
14	38.56		

Item	Name	Material	Finish
1	Insulating Body	Polyamide 66 UL94V-0	Green
2	Terminal	Brass	Tin Plating
3	Lever	Polyamide 66 UL94V-0	Orange
4	Cover	Polyamide 66 UL94V-0	Green
5	Spring	Stainless Strip Steel	

Series	Type	Pitch	Positions	Color
CMTB	MX422	254	XX	GN
Terminal blocks	Side Entry Screwless	254=2.54mm	02-25	GN=Green

RoHS compliant

Rev.	Description	Date	Approved	Drawing	Name	Date
				Approved	Howard	06/26/06
				Checked	Lizzy	06/26/06
				Drawn	Tina	06/26/06
				0.0 ± 0.35	0.00 ± 0.20	Angles ± 3'
				UNIT: mm		

Central Components Manufacturing
 440 Lincoln Blvd., Middlesex, New Jersey 08846
 Phone 732 469-5720 888 288-5152 Fax 732 469-1919

Part No.: **CMTB-MX422-254-XX-GN**

Description: Terminal Block, Side Entry Screwless

