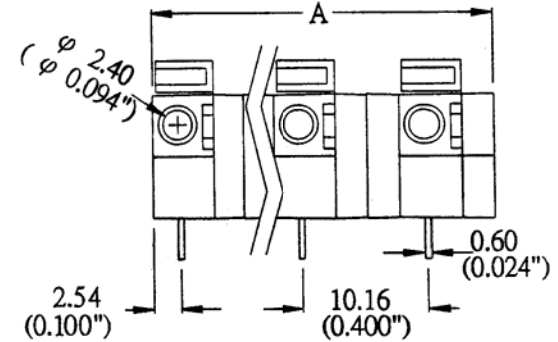
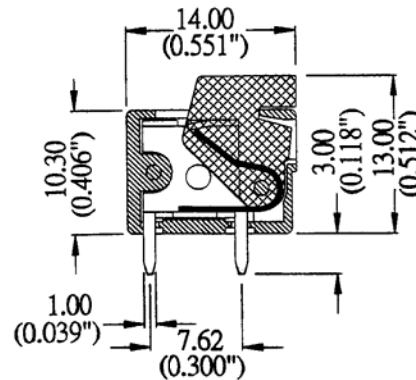
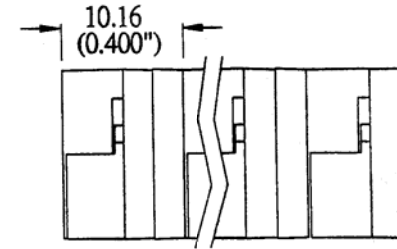
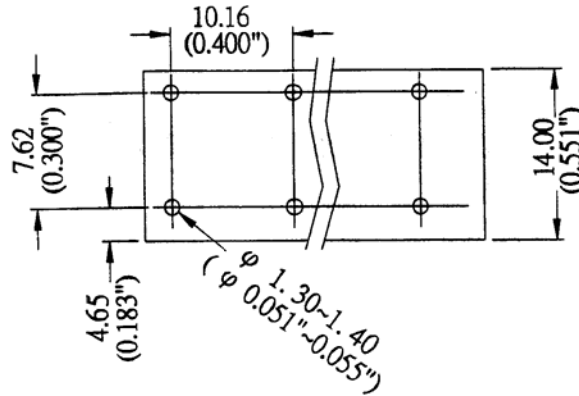


SPECIFICATIONS

Voltage rating: 300VAC
 Current rating: 10 amps
 Terminal material: Brass
 Spring material: Stainless steel
 Body material: Polyamide 66, UL94V-0
 Insulation resistance: 5,000 megohms min.
 Lever material: Polyamide 66, UL94V-0
 Withstanding: 2,000 VAC/min
 Operating temp.: -55°C to +105°C
 Wire range: 14-24 AWG

Dimensions	
Item	A
2	17.78
3	27.94
4	38.10
5	48.26
6	58.42
7	68.58
8	78.74
9	88.90
10	99.06
11	109.22
12	119.38
16	160.02

PCB Layout



RoHS compliant

Rev.	Description	Date	Approved	Drawing	Name	Date
				Approved	Howard	08/10/99
				Checked	Lizzy	08/10/99
				Drawn	Tina	08/10/99
				0.0 ± 0.35	0.00 ± 0.20	Angles ± 3'
				UNIT: mm		

Central Components Manufacturing
 440 Lincoln Blvd., Middlesex, New Jersey 08846
 Phone 732 469-5720 888 288-5152 Fax 732 469-1919

Part No.: **CMTB-MX222-1016-XX-GN**

Description: Screw-less terminal block, 10.16mm pitch