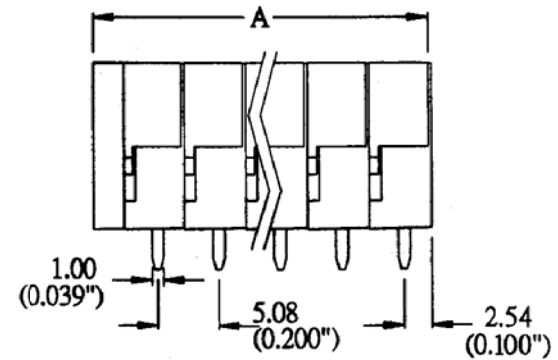
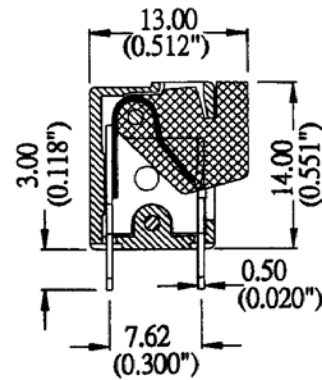
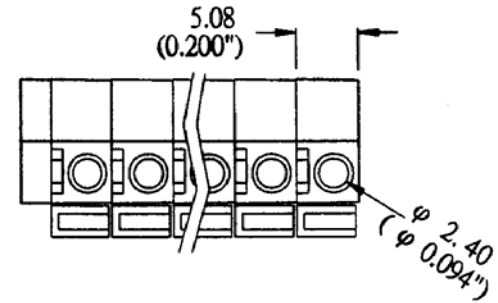
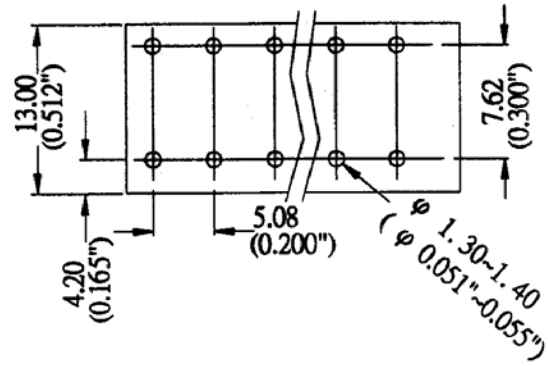


SPECIFICATIONS

Current rating: 10 amps
 Voltage rating: 300VAC
 Contact material: Brass
 Contact plating: Tin
 Spring material: Stainless steel
 Insulator material: Polyamide66, UL94V-0
 Insulator resistance: 5,000 megohms min.
 Withstanding: 2,000VAC min.
 Operating range: -55°C to +105°C



RoHS compliant

Rev.	Description	Date	Approved	Drawing	Name	Date
				Approved	Howard	08/10/99
				Checked	Lizzy	08/10/99
				Drawn	Tina	08/10/99
				0.0 ± 0.35	0.00 ± 0.20	Angles ± 3'
				UNIT: mm		

Central Components Manufacturing
 440 Lincoln Blvd., Middlesex, New Jersey 08846
 Phone 732 469-5720 888 288-5152 Fax 732 469-1919

Part No.: **CMTB-MX122-508-XX-GN**

Description: Screw-less terminal block, top entry, 5.08mm pitch, for 14-24AWG wire