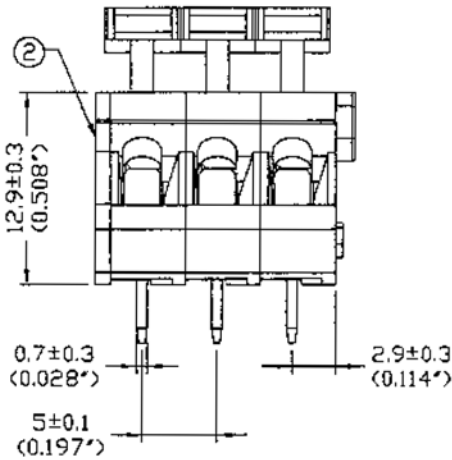
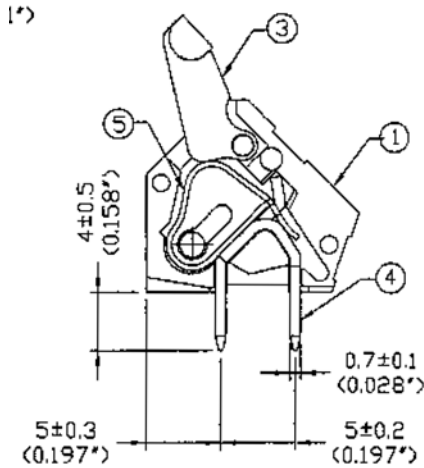
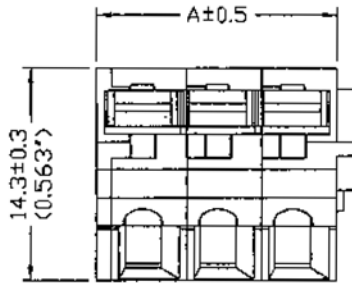
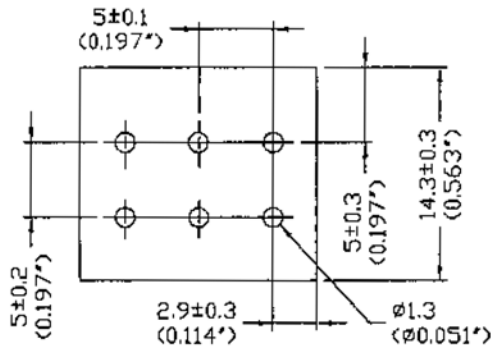


PCB Layout



SPECIFICATIONS

Current Rating: 16Amp AC300V
 Insulation Resistance: >2000MΩ DC500V
 Wire Range: 14~28 AWG
 Withstanding: AC 2000V min
 Operating Temp: -40C to +105C

Dimensions			
Poles	A	Poles	A
2	11.00	15	76.00
3	16.00	16	81.00
4	21.00	17	86.00
5	26.00	18	91.00
6	31.00	19	96.00
7	36.00	20	101.00
8	41.00	21	106.00
9	46.00	22	111.00
10	51.00	23	116.00
11	56.00	24	121.00
12	61.00	25	126.00
13	66.00		
14	71.00		

Item	Name	Material	Finish
1	Insulating Body	Polyamide 66 (UL04V-0)	Grey
2	Cover	Polyamide66 (UL94V-0)	
3	Lever	Grilon AG30	
4	Terminal	Brass	Tin Plated
5	Spring	Stainless Strip Steel	

RoHS compliant

Rev.	Description	Date	Approved	Drawing	Name	Date
				Approved	Howard	01/18/06
				Checked	Lizzy	01/18/06
				Drawn	Tina	01/18/06
				0.0 ± 0.35	0.00 ± 0.20	Angles ± 3'
				UNIT: mm		

Central Components Manufacturing
 440 Lincoln Blvd., Middlesex, New Jersey 08846
 Phone 732 469-5720 888 288-5152 Fax 732 469-1919

Part No.: **CMTB-MWW101-500-XX-GY**

Description: Terminal Block