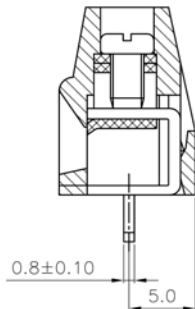
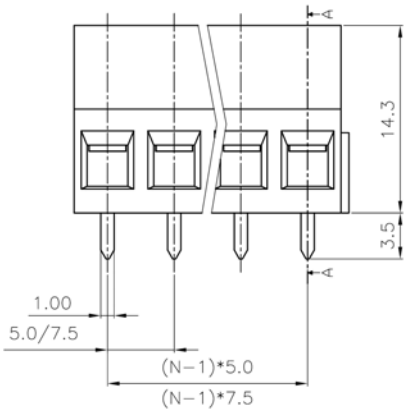


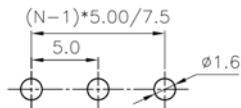
**SPECIFICATIONS**

- Rated Voltage: 300V
- Rated Current: 10A
- Contact Resistance: 20mΩ
- Insulation Resistance: 5000MΩ/1000V
- Withstanding Voltage: AC2000V/1Min
- Wire Range: 24-12AWG 2.5mm<sup>2</sup>
- Screw Material: M2.5 Steel Zinc Plated
- Contact Material: Brass
- Pin Header: Brass, Tin Plated
- Housing: PA66, UL94V-0
- Temp Range: -40C ~ +105
- Soldering Temp: +250C for 5 Sec.
- Torque: 0.4Nm (3.6LB. In)
- Strip Length: 6-7mm



SECTION A-A

N=Number of contacts



RECOMMEND PCB LAYOUT(TOLERANCE=±0.05)

Series	Style	Pitch	Positions	Color
CMTB	MK128V	XXX	XX	XX
Terminal Block	Modular, Side Entry Top Screw	500=5.00mm 750=7.50mm	02,03,08,16	GN=Green (std) BK=Black

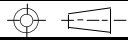
**RoHS compliant**

Rev.	Description	Date	Approved	Drawing	Name	Date
				Approved	Howard	12/03/10
				Checked	Lizzy	12/03/10
				Drawn	Tina	12/03/10
				0.0 ± 0.35	0.00 ± 0.20	Angles ± 3°

**Central Components Manufacturing**  
 440 Lincoln Blvd., Middlesex, New Jersey 08846  
 Phone 732 469-5720 888 288-5152 Fax 732 469-1919

Part No.: **CMTB-MK128V-XXX-XX-XX**

Description: Terminal Block



UNIT: mm