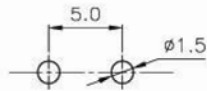
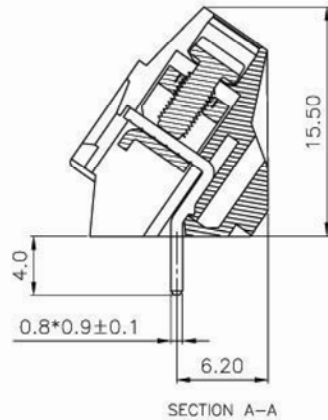
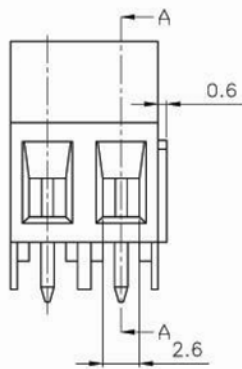


N:NUMBER OF CONTACTS



RECOMMEND PCB LAYOUT (TOLERANCE=±0.05)

SPECIFICATIONS

Voltage Rating: 300V
 Current Rating: 10A
 Contact Resistance: 20mΩ
 Insulation Resistance: 5000MΩ/1000V
 Withstanding: AC 2000V/1 min
 Wire Range: 24-12AWG 2.5mm
 Screws: M2.5 Steel Zinc Plated
 Contact: Brass, Ni Plated
 Pin Header: Brass, Tin Plated
 Housing: PA66, UL94V-0
 Torque: 0.4Nm
 Max Soldering: +250C for 5 Sec
 Temperature Range: -40C ~ +105C

Series	Type	Pitch	Positions	Color
CMTB	MK103	500	XX	XX
Terminal Block	45° Entry, Modular	500=5.00mm	From 02 & 03	GN=Green BK=Black BL=Blue RD=Red

RoHS compliant

Rev.	Description	Date	Approved	Drawing	Name	Date
				Approved	Howard	07/09/07
				Checked	Lizzy	07/09/07
				Drawn	Tina	07/09/07
				0.0 ± 0.35	0.00 ± 0.20	Angles ± 3'
					UNIT: mm	

Central Components Manufacturing
 440 Lincoln Blvd., Middlesex, New Jersey 08846
 Phone 732 469-5720 888 288-5152 Fax 732 469-1919

Part No.: **CMTB-MK103-500-XX-XX**

Description: Euro Terminal Block 5.0mm Pitch