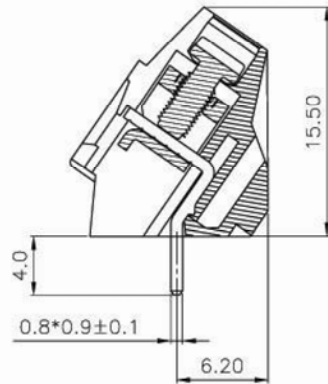
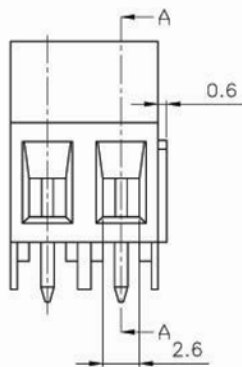
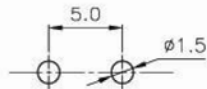


N:NUMBER OF CONTACTS



SECTION A-A



RECOMMEND PCB LAYOUT (TOLERANCE=±0.05)

SPECIFICATIONS

- Voltage Rating: 300V
- Current Rating: 10A
- Contact Resistance: 20mΩ
- Insulation Resistance: 5000MΩ/1000V
- Withstanding: AC 2000V/1 min
- Wire Range: 24-12AWG 2.5mm
- Screws: M2.5 Steel Zinc Plated
- Contact: Brass, Ni Plated
- Pin Header: Brass, Tin Plated
- Housing: PA66, UL94V-0
- Torque: 0.4Nm
- Max Soldering: +250C for 5 Sec
- Temperature Range: -40C ~ +105C

Series	Type	Pitch	Positions	Color
CMTB	MK103	250	XX	XX
Terminal Block	45° Entry, Modular	250=2.50mm	From 02 & 03	GN=Green BK=Black BL=Blue RD=Red

RoHS compliant

Rev.	Description	Date	Approved	Drawing	Name	Date
				Approved	Howard	07/09/07
				Checked	Lizzy	07/09/07
				Drawn	Tina	07/09/07
				0.0 ± 0.35	0.00 ± 0.20	Angles ± 3'
					UNIT: mm	

Central Components Manufacturing
 440 Lincoln Blvd., Middlesex, New Jersey 08846
 Phone 732 469-5720 888 288-5152 Fax 732 469-1919

Part No.: **CMTB-MK103-250-XX-XX**

Description: Euro Terminal Block 5.0mm Pitch