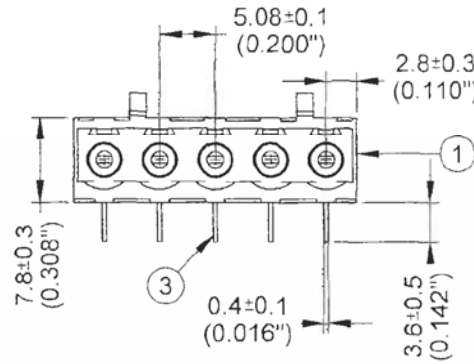
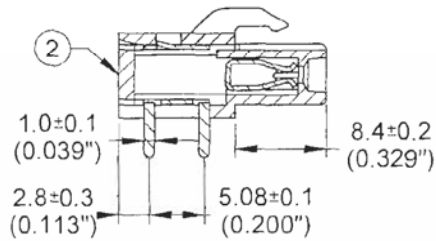
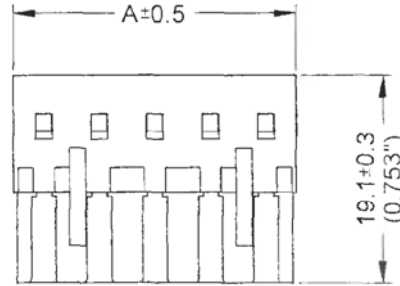
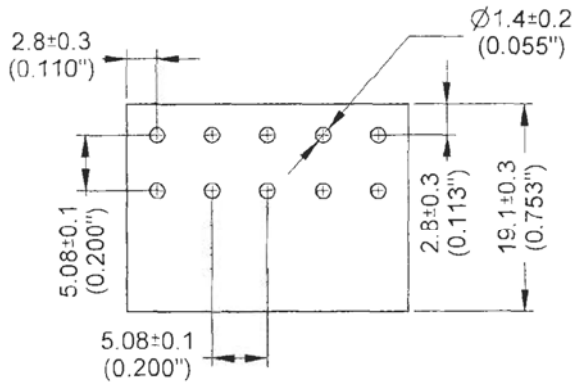


**SPECIFICATIONS**

Current Rating: 15Amp AC300V  
 Insulation Resistance: 2000MΩ Min. DC 500V  
 Withstanding: AC 2000V min.  
 Operating Temp: -40°C to +105°C

Pitch: 5.08mm (0.200inch)					
Poles	A(mm)	A(in)	Pôles	A(mm)	A(in)
2	10.68	0.420	15	76.72	3.020
3	15.76	0.620	16	81.80	3.220
4	20.84	0.820	17	86.88	3.420
5	25.92	1.020	18	91.96	3.620
6	31.00	1.220	19	97.04	3.820
7	36.08	1.420	20	102.12	4.020
8	41.16	1.620	21	107.20	4.220
9	46.24	1.820	22	112.28	4.420
10	51.32	2.020	23	117.36	4.620
11	56.40	2.220	24	122.44	4.820
12	61.48	2.420			
13	66.56	2.620			
14	71.64	2.820			



Item	Name	Material	Finish
1	Insulating Body	Polyamide 6 UL94V-0	Green
2	Side Cover	Polyamide 6 UL94V-0	Green
3	Contact	Phosphor Bronze	Tin Plated

Series	Type	Pitch	Positions	Color
CMTB	MF203	508	XX	GN
Terminal Black	Right angle female	508=5.08mm	02-24	GN=Green

RoHS compliant

Rev.	Description	Date	Approved	Drawing	Name	Date
				Approved	Howard	02/29/08
				Checked	Lizzy	02/29/08
				Drawn	Tina	02/29/08
				0.0 ± 0.35	0.00 ± 0.20	Angles ± 3'
				UNIT: mm		

**Central Components Manufacturing**  
 440 Lincoln Blvd., Middlesex, New Jersey 08846  
 Phone 732 469-5720 888 288-5152 Fax 732 469-1919

Part No.: **CMTB-MF203-508-XX-GN**

Description: PCB Plug-in connector, female