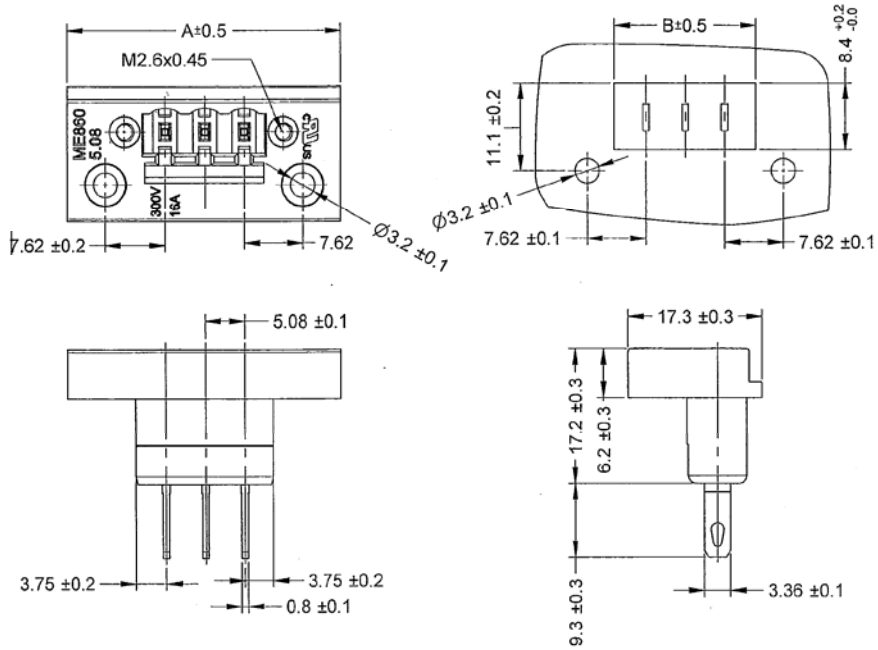


Pos.	A	B
2	30.42	13.18
3	35.50	18.26
4	40.58	23.34
5	45.66	28.42
6	50.74	33.50
7	55.82	38.58
8	60.90	48.74
9	65.98	48.74
10	71.06	53.82
11	76.14	58.90
12	81.22	63.98
13	86.30	69.06
14	91.38	74.14
15	96.46	79.22
16	101.54	84.30
17	106.62	89.38
18	111.70	94.46
19	116.78	99.54
20	121.86	104.62
21	126.94	109.70
22	132.02	114.78
23	137.10	119.86
24	142.18	124.94



**SPECIFICATIONS**

Current Rating: 16Amp AC300V  
 Insulation Material: PBT UI94V-0, Green  
 Insulation Resistance: 2000MΩ min  
 Withstanding: AC 2000V min  
 Operating Temp: -40°C to +120°C

Series	Type	Pitch	Positions	Color
CMTB	ME860	XXX	XX	XX
Terminal block	Type=ME860	508=5.08mm	2-24	GN=Green

RoHS compliant

Rev.	Description	Date	Approved	Drawing	Name	Date
				Approved	Howard	08/10/99
				Checked	Lizzy	08/10/99
				Drawn	Tina	08/10/99
				0.0 ± 0.35	0.00 ± 0.20	Angles ± 3'
				UNIT: mm		

**Central Components Manufacturing**  
 440 Lincoln Blvd., Middlesex, New Jersey 08846  
 Phone 732 469-5720 888 288-5152 Fax 732 469-1919

Part No.: **CMTB-ME860-508-XX-GN**

Description: Terminal Block