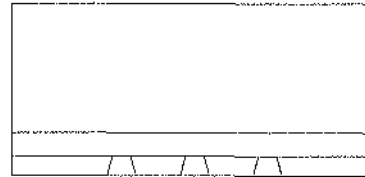
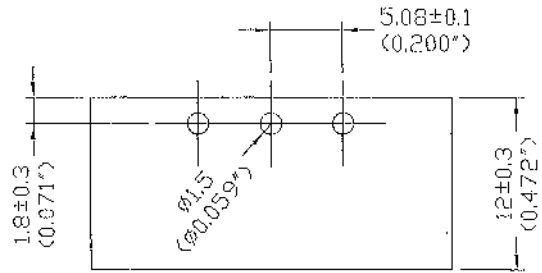


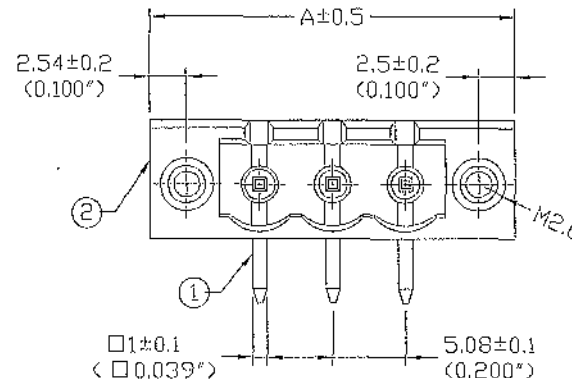
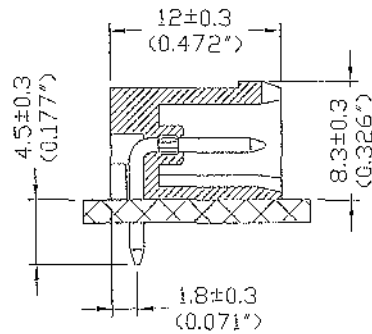
PCB Layout



SPECIFICATIONS

Current rating: 16A at 300 VAC
 Insulation resist.: 2000 megohms min. at 500 VDC
 Withstanding: 5000 VAC min.
 Operating temp.: -40°C to +105°C

Poles	Dim A mm	Dim A in
2	20.32	.80
3	25.40	1.00
4	30.48	1.20
5	35.56	1.40
6	40.64	1.60
7	45.72	1.80
8	50.00	2.0
9	55.88	2.2
10	60.96	2.4
11	66.04	2.6
12	71.12	2.8
13	76.20	3.0
14	81.28	3.2
15	86.36	3.4
16	91.44	3.6
17	96.52	3.8
18	101.60	4.0
19	106.68	4.2
20	111.76	4.4
21	116.84	4.6
22	121.92	4.8



Series	Type	Pitch	Positions	Color
CMTB	ME050	XXX	XX	GN
Terminal blocks	R/A with flanges	500=5.00mm 508=5.08mm	02-22	GN=Green

RoHS compliant

Rev.	Description	Date	Approved	Drawing	Name	Date
				Approved	Howard	8/10/99
				Checked	Lizzy	8/10/99
				Drawn	Tina	8/10/99
				0.0 ± 0.35	0.00 ± 0.20	Angles ± 3°
				UNIT: mm		

Central Components Manufacturing
 440 Lincoln Blvd., Middlesex, New Jersey 08846
 Phone 732 469-5720 888 288-5152 Fax 732 469-1919

Part No.: **CMTB-ME050-508-XX-GN**

Description: terminal block right angle with flanges