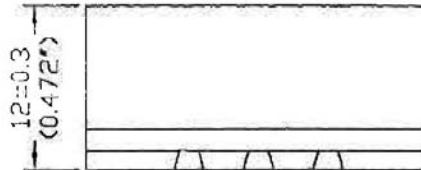
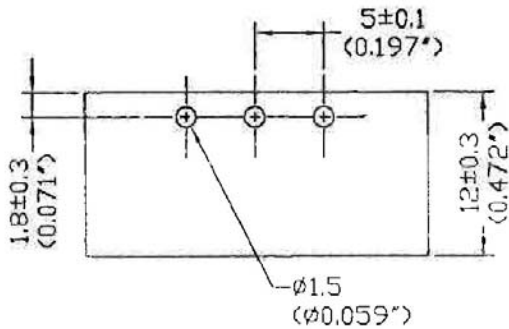


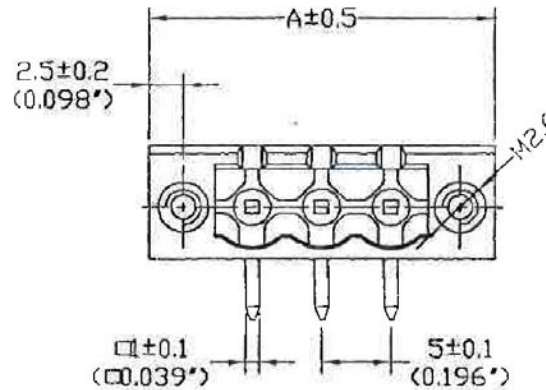
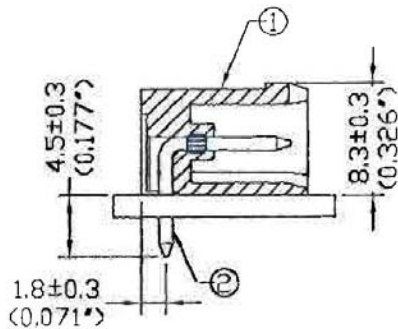
PCB Layout



SPECIFICATIONS

Current rating: 16A at 300 VAC
 Insulation resist.: 2000 megohms min. at 500 VDC
 Withstanding: 5000 VAC min.
 Operating temp.: -40°C to +105°C

Poles	Dim A mm	Dim A in
2	20.00	0.787
3	25.00	0.984
4	30.00	1.181
5	35.00	1.378
6	40.00	1.575
7	45.00	1.772
8	50.00	1.969
9	55.00	2.165
10	60.00	2.362
11	65.00	2.559
12	70.00	2.756
13	75.00	2.953
14	80.00	3.150
15	85.00	3.346
16	90.00	3.543
17	95.00	3.740
18	100.00	3.937
19	105.00	4.134
20	110.00	4.331
21	115.00	4.528
22	120.00	4.724



RoHS compliant

Series	Type	Pitch	Positions	Color
CMTB	ME050	XXX	XX	GN
Terminal blocks	R/A with flanges	500=5.00mm 508=5.08mm	02-22	GN=Green

Rev.	Description	Date	Approved	Drawing	Name	Date
				Approved	Howard	8/10/99
				Checked	Lizzy	8/10/99
				Drawn	Tina	8/10/99
				0.0 ± 0.35	0.00 ± 0.20	Angles ± 3°
				UNIT: mm		

Central Components Manufacturing
 440 Lincoln Blvd., Middlesex, New Jersey 08846
 Phone 732 469-5720 888 288-5152 Fax 732 469-1919

Part No.: **CMTB-ME050-500-XX-GN**

Description: terminal block right angle with flanges