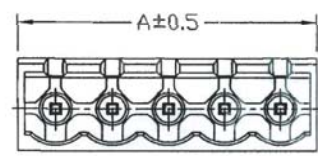
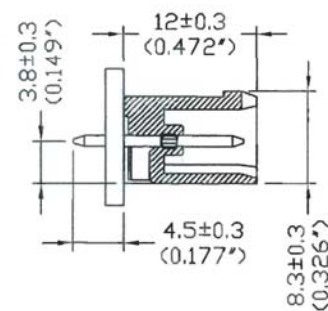
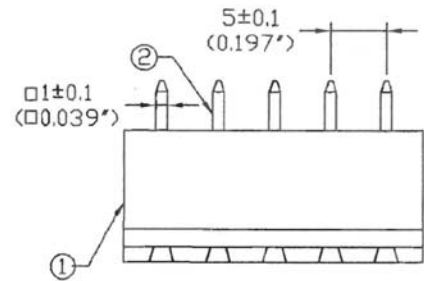
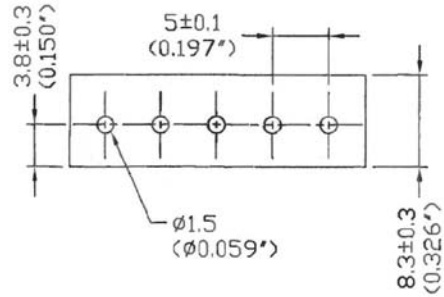


PCB Layout



SPECIFICATIONS

Current rating: 16Amp AC300V
 Solder Pin: Brass, Tin Plated
 Insulation Material: Polyamide 66 UL94V-0, Green
 Insulation Resistance: 2000MΩ min
 Withstanding: AC 2000V min
 Operating Temp: -40°C to +105°C

Dimensions (inch)			
Poles	A	Poles	A
2	11.60 (.457)	15	76.60 (3.016)
3	16.60 (0.654)	16	81.60 (3.213)
4	21.60 (0.850)	17	86.60 (3.409)
5	26.60 (1.047)	18	91.60 (3.606)
6	31.60 (1.244)	19	96.60 (3.803)
7	36.60 (1.441)	20	101.60 (4.00)
8	41.60 (1.638)	21	106.60 (4.197)
9	46.60 (1.835)	22	111.60 (4.394)
10	51.60 (2.031)	23	116.60 (4.591)
11	56.60 (2.228)	24	121.60 (4.787)
12	61.60 (2.425)		
13	66.60 (2.622)		
14	71.60 (2.819)		

Series	Style	Pitch	Positions	Color
CMTB	ME040	XXX	XX	GN
Terminal block	Vertical closed end plug-able	381=3.81mm 500=5mm 508=5.08mm 762=7.62mm	02-24	GN=Green

RoHS compliant

Rev.	Description	Date	Approved	Drawing	Name	Date
				Approved	Howard	10/17/05
				Checked	Lizzy	10/17/05
				Drawn	Tina	10/17/05
				0.0 ± 0.35	0.00 ± 0.20	Angles ± 3'
				UNIT: mm		

Central Components Manufacturing
 440 Lincoln Blvd., Middlesex, New Jersey 08846
 Phone 732 469-5720 888 288-5152 Fax 732 469-1919

Part No.: **CMTB-ME040-500-XX-GN**

Description: Terminal block, vertical, closed end, plug-able