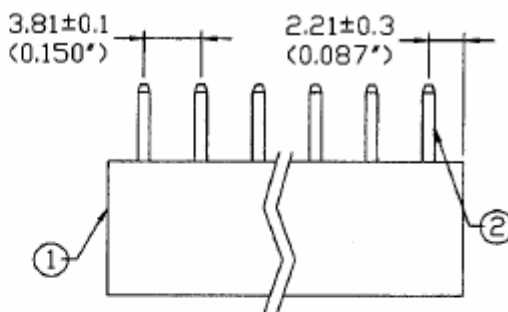


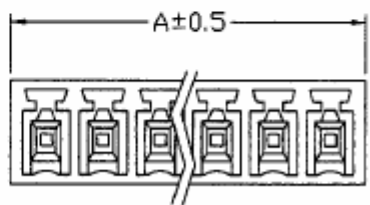
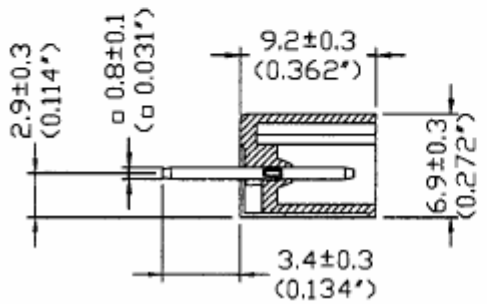
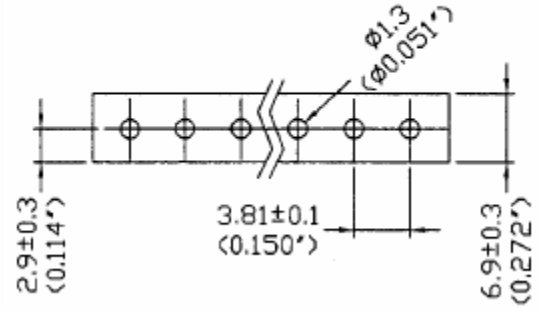
Pitch: 3.81mm (0.150")					
Poles	A(mm)	A(inch)	Poles	A(mm)	A(inch)
2	8.23	0.324	13	50.14	1.974
3	12.04	0.474	14	53.95	2.124
4	15.85	0.624	15	57.76	2.274
5	19.66	0.774	16	61.57	2.424
6	23.47	0.924	17	65.38	2.574
7	27.28	1.074	18	69.19	2.724
8	31.09	1.224	19	73.00	2.874
9	34.90	1.374	20	76.81	3.024
10	38.71	1.524	21	80.62	3.174
11	42.52	1.674	22	84.43	3.324
12	46.33	1.824			

Item	Name	Material	Finish
1	Insulating body	Polyamide 66, UL94V-0	Green
2	Solder pin	Brass	



SPECIFICATIONS
 Current rating: 12 amps
 Voltage rating: 300VAC
 Insulation resistance: 5,000 megohms min. at 500VDC
 Withstanding: 2,000VAC min.
 Operating temperature: -55°C to +105°C
 Processing temperature: 260°C for 5 sec.

PCB Layout



Series	Style	Pitch	Positions	Color
CMTB	ME040	XXX	XX	GN
Terminal block	Vertical closed end plug-able	381=3.81mm	02-24	GN=Green
		500=5mm		
		508=5.08mm		
		762=7.62mm		

RoHS compliant

Rev.	Description	Date	Approved	Drawing	Name	Date
				Approved	Howard	08/10/99
				Checked	Lizzy	08/10/99
				Drawn	Tina	08/10/99
				0.0 ± 0.35	0.00 ± 0.20	Angles ± 3'
				UNIT: mm		

Central Components Manufacturing
 440 Lincoln Blvd., Middlesex, New Jersey 08846
 Phone 732 469-5720 888 288-5152 Fax 732 469-1919

Part No.: **CMTB-ME040-381-XX-GN**

Description: Terminal block, vertical, closed end, plug-able