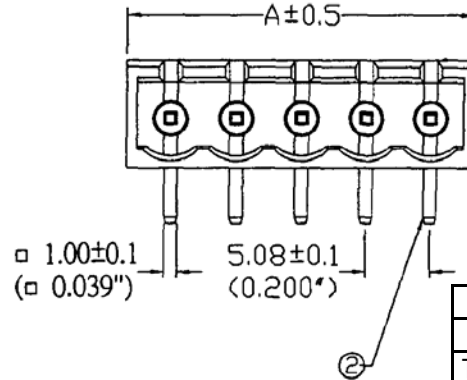
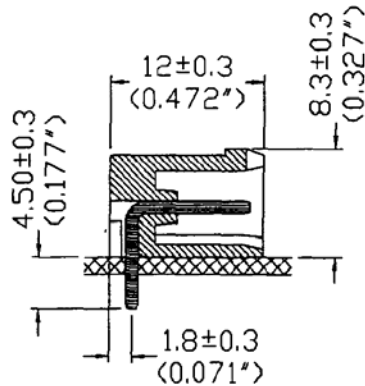
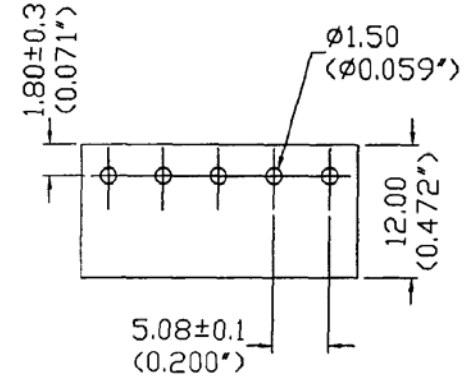


Dimensions					
Poles	A(mm)	A(inch)	Poles	A(mm)	A(inch)
2	11.76	0.463	15	77.80	3.063
3	16.84	0.663	16	82.88	3.263
4	21.92	0.863	17	87.96	3.463
5	27.00	1.063	18	93.04	3.663
6	32.08	1.263	19	96.12	3.863
7	37.16	1.463	20	103.20	4.063
8	42.24	1.663	21	108.28	4.263
9	47.32	1.863	22	113.36	4.463
10	52.40	2.063	23	118.44	4.663
11	57.48	2.263	24	123.52	4.863
12	62.56	2.463			
13	67.64	2.663			
14	72.72	2.863			

SPECIFICATIONS

Current Rating: 16Amp AC300V
 Contact Material: Brass, Tin Plated
 Insulation Material: Polyamide 66(UL94V-0), Black
 Insulation Resistance: 2000MΩ min
 Withstanding: AC2000V min
 Operating Temp: -40°C to +105°C

PCB Layout



Series	Style	Pitch	Positions	Color
CMTB	ME030K	XXX	XX	GN
Terminal Block	Right Angle closed end plug-able	381=1.81mm 250=3/50mm 500=5.00mm 508=5.08mm	02-24	GN=Green

RoHS compliant

Rev.	Description	Date	Approved	Drawing	Name	Date
				Approved	Howard	03/02/01
				Checked	Lizzy	03/02/01
				Drawn	Tina	03/02/01
				0.0 ± 0.35	0.00 ± 0.20	Angles ± 3°
				UNIT: mm		

Central Components Manufacturing
 440 Lincoln Blvd., Middlesex, New Jersey 08846
 Phone 732 469-5720 888 288-5152 Fax 732 469-1919

Part No.: **CMTB-ME030K-508-XX-GN**

Description: Right Angle closed end plug-able terminal block