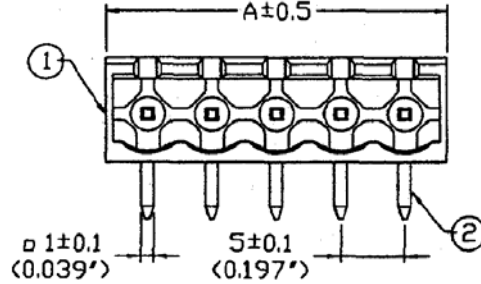
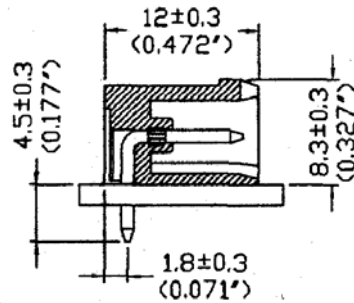
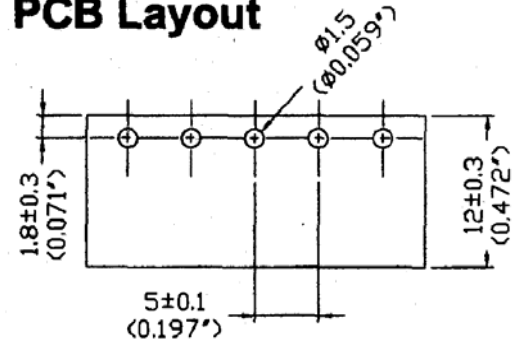


Dimensions					
Poles	A(mm)	A(inch)	Poles	A(mm)	A(inch)
2	11.60	0.457	15	76.60	3.016
3	16.60	0.654	16	81.60	3.213
4	21.60	0.850	17	86.60	3.409
5	26.60	1.047	18	91.60	3.606
6	31.60	1.244	19	96.60	3.803
7	36.60	1.441	20	101.60	4.000
8	41.60	1.638	21	106.60	4.197
9	46.60	1.835	22	111.60	4.394
10	51.60	2.031	23	116.60	4.591
11	56.60	2.228	24	121.60	4.787
12	61.60	2.425	25	126.60	4.984
13	66.60	2.622			
14	71.60	2.819			

SPECIFICATIONS

Current Rating: 16 Amp AC300V
 Contact Material: Brass, Tin Plated
 Insulation Material: Polyamide 66 UL94V-0, Green
 Insulation Resistance: 2000MΩ min. DC500V
 Withstanding: AC2000V min
 Operating Temp: -40°C to +105°C

PCB Layout



Also available in Vertical & Open end

RoHS compliant

Series	Style	Pitch	Positions	Color
CMTB	ME030	XXX	XX	GN
Terminal block	Right Angle closed end plug-able	381=3.81mm 350=3.50mm 500=5.00mm 508=5.08mm	02-22	GN=Green

Rev.	Description	Date	Approved	Drawing	Name	Date
				Approved	Howard	04/12/05
				Checked	Lizzy	04/12/05
				Drawn	Tina	04/12/05
				0.0 ± 0.35	0.00 ± 0.20	Angles ± 3'
				UNIT: mm		

Central Components Manufacturing
 440 Lincoln Blvd., Middlesex, New Jersey 08846
 Phone 732 469-5720 888 288-5152 Fax 732 469-1919

Part No.: **CMTB-ME030-500-XX-GN**

Description: Right Angle closed end plug-able terminal block