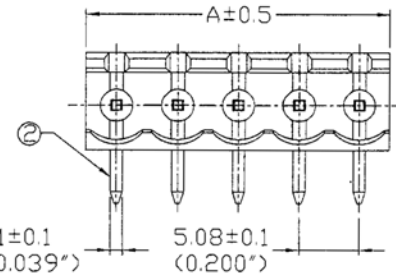
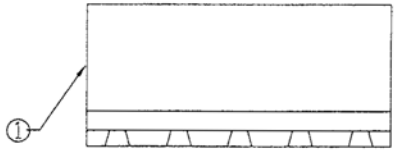
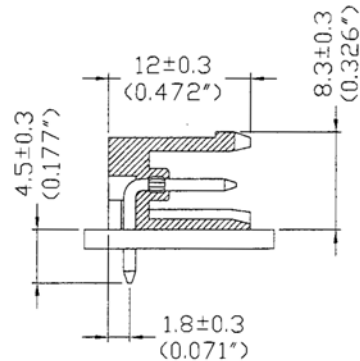
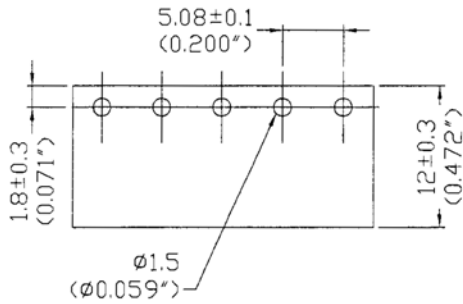


# PCB Layout



## SPECIFICATIONS

Current Rating: 16Amp AC300V  
 Insulation Resistance: >200MΩ DC500V  
 Withstanding: AC2000V min  
 Operating Temp: -40C to +105C

1. Insulator: Polyamide 66(UL94V-0)
2. Solder Pin: Brass, Tin Plated

Dimensions			
Item	A	Item	A
2	10.16	15	76.20
3	15.24	16	81.28
4	20.32	17	86.36
5	25.40	18	91.44
6	30.48	19	96.52
7	35.56	20	101.60
8	40.64	21	106.68
9	45.72	22	111.76
10	50.80	23	116.84
11	55.88	24	121.92
12	60.96	25	127.00
13	66.04		
14	71.12		

Series	Style	Pitch	Positions	Color
CMTB	ME010	508	XX	GN
Terminal block	Right angle open end plug-able	500=5mm 508=5.08mm	02-25	GN=Green

RoHS compliant

Rev.	Description	Date	Approved	Drawing	Name	Date
				Approved	Howard	08/10/99
				Checked	Lizzy	08/10/99
				Drawn	Tina	08/10/99
				0.0 ± 0.35	0.00 ± 0.20	Angles ± 3'
				UNIT: mm		

**Central Components Manufacturing**  
 440 Lincoln Blvd., Middlesex, New Jersey 08846  
 Phone 732 469-5720 888 288-5152 Fax 732 469-1919

Part No.: **CMTB-ME010-508-XX-GN**

Description: Terminal block, right angle, open end, plug-able