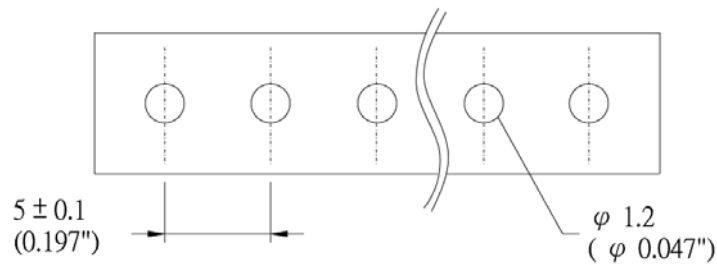
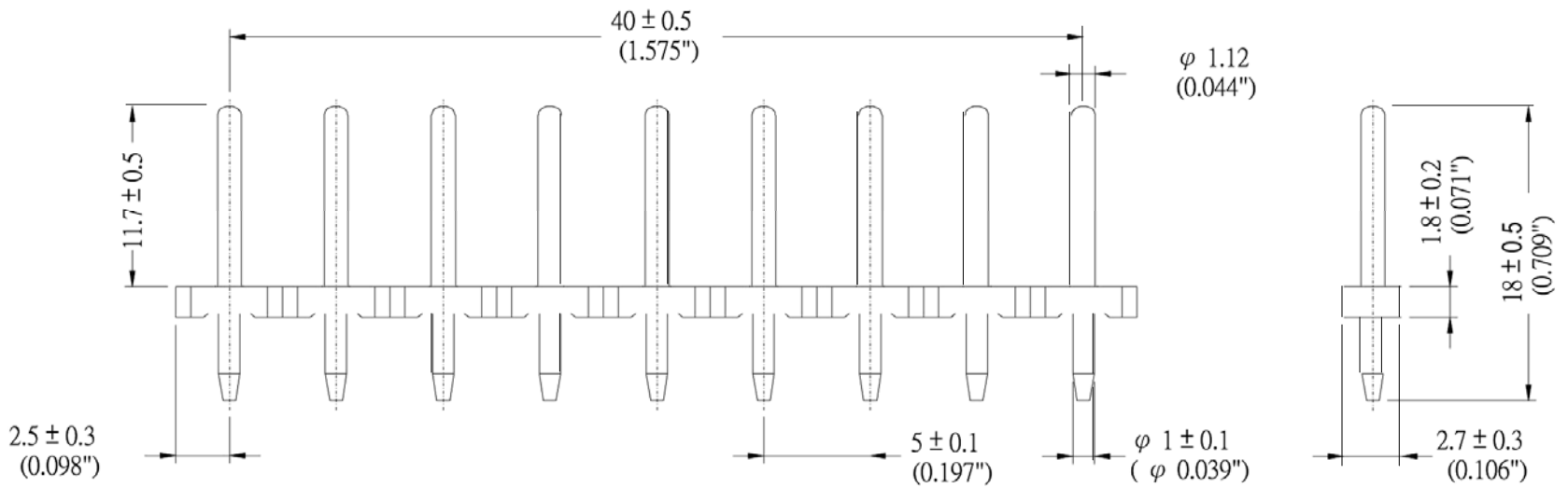


# PCB Layout

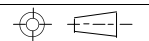


## SPECIFICATIONS

Current rating: 15 amps  
 Voltage rating: 300 VAC  
 Operating temperature: -40°C to +105°C  
 Pin material: Brass  
 Pin plating: Gold  
 Insulator material: Polyamide 66; UL94V-0



RoHS compliant

| Rev. | Description | Date | Approved | Drawing                                                                                      | Name        | Date        |
|------|-------------|------|----------|----------------------------------------------------------------------------------------------|-------------|-------------|
|      |             |      |          | Approved                                                                                     | Howard      | 08/10/99    |
|      |             |      |          | Checked                                                                                      | Lizzy       | 08/10/99    |
|      |             |      |          | Drawn                                                                                        | Tina        | 08/10/99    |
|      |             |      |          | 0.0 ± 0.35                                                                                   | 0.00 ± 0.20 | Angles ± 3' |
|      |             |      |          |  UNIT: mm |             |             |


**Central Components Manufacturing**  
 440 Lincoln Blvd., Middlesex, New Jersey 08846  
 Phone 732 469-5720 888 288-5152 Fax 732 469-1919

Part No.: **CMTB-MD122A-500-09-BK**

Description: Terminal block pin header