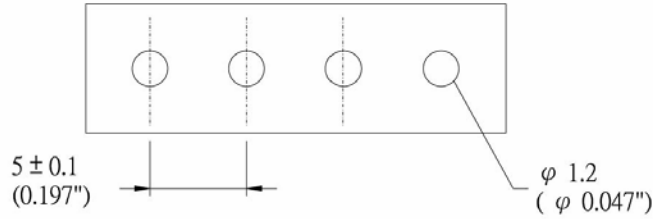
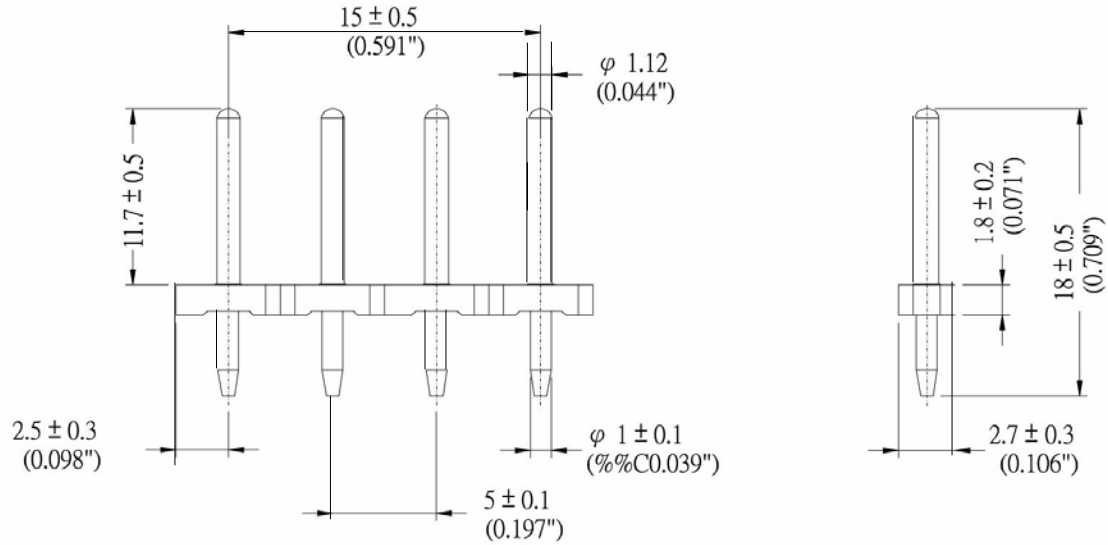


PCB Layout



SPECIFICATIONS

Current rating: 15 amps
 Voltage rating: 300 VAC
 Operating temperature: -40°C to +105°C
 Pin material: Brass
 Pin plating: Gold
 Insulator material: Polyamide 66; UL94V-0



RoHS compliant

Rev.	Description	Date	Approved	Drawing	Name	Date
				Approved	Howard	08/10/99
				Checked	Lizzy	08/10/99
				Drawn	Tina	08/10/99
				0.0 ± 0.35	0.00 ± 0.20	Angles ± 3'
						UNIT: mm

Central Components Manufacturing
 440 Lincoln Blvd., Middlesex, New Jersey 08846
 Phone 732 469-5720 888 288-5152 Fax 732 469-1919

Part No.: **CMTB-MD122A-500-04-BK**

Description: Terminal block pin header