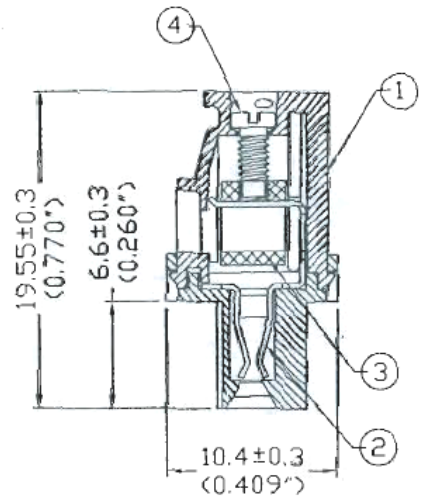
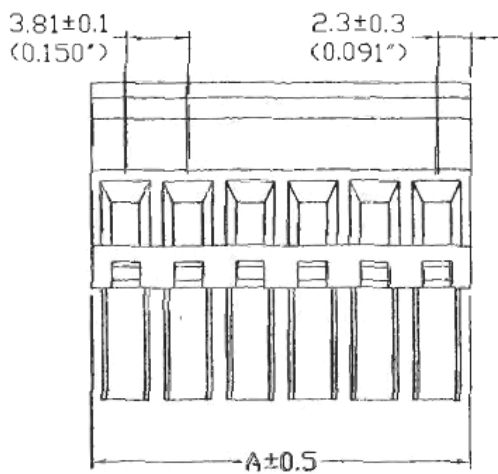
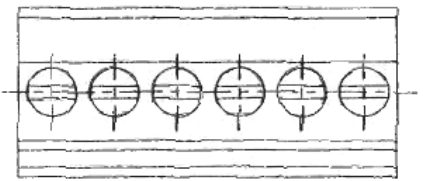


Pitch 3.81mm (0.150")					
Poles	A(mm)	A(in)	Poles	A(mm)	A(in)
2	8.41	0.331	12	48.51	1.831
3	12.22	0.481	13	50.32	1.981
4	16.03	0.631	14	54.13	2.131
5	19.84	0.781	15	57.94	2.281
6	23.65	0.931	16	61.75	2.431
7	27.46	1.081	17	65.56	2.581
8	31.27	1.231	18	69.37	2.731
9	35.08	1.381	19	73.18	2.881
10	38.89	1.531	20	76.99	3.031
11	42.70	1.681			



SPECIFICATIONS

- Voltage rating: 300VAC
- Current rating: 8 amps
- Contact material: Phosphor bronze
- Contact plating: Tin
- Insulator material: Polyamide 66, UL94V-0
- Insulation resistance: 2,000 megohms min.
- Withstanding: 2,000 VAC for 1 min.
- Cage clamp material: Brass
- Cage clamp plating: Nickel
- Screw material: Steel
- Screw plating: Nickel
- Operating temperature: -40°C to +105°C

Series	Type	Pitch	Positions	Color
CMTB	MC560	381	XX	GN
Terminal block	Plug	381=3.81mm pitch (5.00 and 5.08 available)	02-20	GN=Green

RoHS compliant

Rev.	Description	Date	Approved	Drawing	Name	Date
				Approved	Howard	08/10/99
				Checked	Lizzy	08/10/99
				Drawn	Tina	08/10/99
				0.0 ± 0.35	0.00 ± 0.20	Angles ± 3'
				UNIT: mm		

Central Components Manufacturing
 440 Lincoln Blvd., Middlesex, New Jersey 08846
 Phone 732 469-5720 888 288-5152 Fax 732 469-1919

Part No.: **CMTB-MC560-381-XX-GN**

Description: Terminal block, plug, top screw, side wire entry