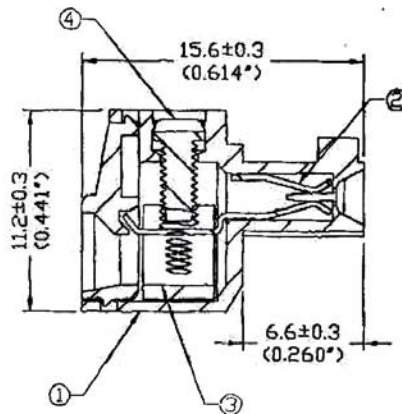
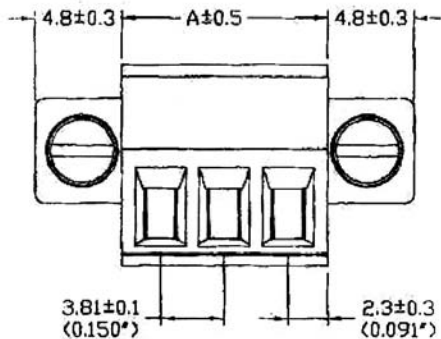


SPECIFICATIONS

Current Rating: 10Amp AC300V
 Insulation Resistance: 2000MΩ DC 500V Min.
 Wire Strip Length: 6.5mm
 Wire Range: 16~26 AWG
 Screw Torque: 3 lb inch
 Withstanding: AC 2000V min
 Operating Temp: -40°C to +105°C



Dimensions					
Poles	A(mm)	B(in)	Poles	A(mm)	B(in)
2	8.41	0.331	14	54.13	2.131
3	12.22	0.481	15	57.94	2.281
4	16.03	0.631	16	61.75	2.431
5	19.84	0.781	17	65.56	2.581
6	23.65	0.931	18	69.37	2.731
7	27.46	1.081	19	73.18	2.881
8	31.27	1.231	20	76.99	3.031
9	35.08	1.381	21	80.80	3.181
10	38.89	1.531	22	84.61	3.331
11	42.70	1.681	23	88.42	3.481
12	46.51	1.831	24	92.23	3.631
13	50.32	1.981	25	96.04	3.781

Item	Name	Material	Finish
1	Insulating Body	Polymide 66 (UL94V-0)	Green
2	Contact	Phosphor Bronze	Tin Plated
3	Cage Clamp	Brass	Nickel Plated
4	Screw	Steel	Nickel Plated

Series	Style	Pitch	Positions	Color
CMTB	MC421	XXX	XX	GN
Terminal block	With Flange	350=3.50mm 381=3.81mm	02-25	GN=Green

RoHS compliant

Rev.	Description	Date	Approved	Drawing	Name	Date
				Approved	Howard	11/06/03
				Checked	Lizzy	11/06/03
				Drawn	Tina	11/06/03
				0.0 ± 0.35	0.00 ± 0.20	Angles ± 3'
				UNIT: mm		

Central Components Manufacturing
 440 Lincoln Blvd., Middlesex, New Jersey 08846
 Phone 732 469-5720 888 288-5152 Fax 732 469-1919

Part No.: **CMTB-MC421-381-XX-GN**

Description: Terminal Block 3.81mm Pitch, Pluggable