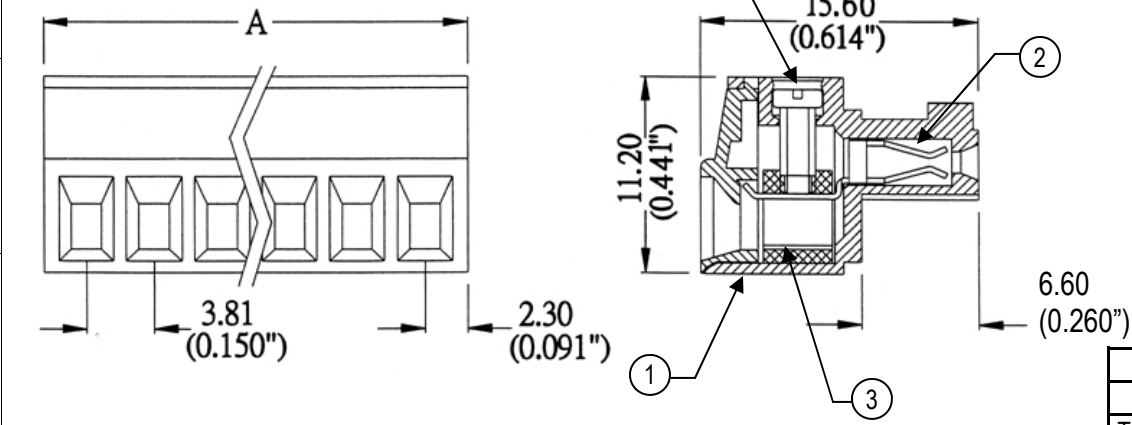
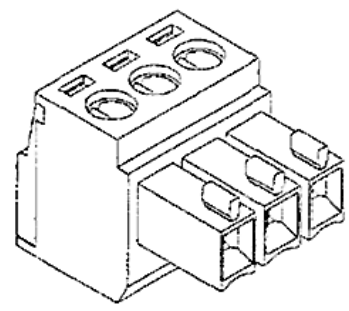


Pitch: 3.81mm (0.150")					
Poles	A(mm)	A(inch)	Poles	A(mm)	A(inch)
2	8.41	0.331	12	46.51	1.831
3	12.22	0.481	13	50.32	1.981
4	16.03	0.631	14	54.13	2.131
5	19.84	0.781	15	57.94	2.281
6	23.65	0.931	16	61.75	2.431
7	27.46	1.081	17	65.56	2.581
8	31.27	1.231	18	69.37	2.731
9	35.08	1.381	19	73.18	2.881
10	38.89	1.531	20	76.99	3.031
11	42.70	1.681			

Item	Name	Material	Finish
1	Insulating body	Polymide 66, UL94V-0	Green
2	Contact	Phosphor bronze	Tin
3	Cage clamp	Brass	Nickel
4	Screw	Steel	Zinc/chromium

**SPECIFICATIONS**  
 Current rating: 10 amps  
 Voltage rating: 300VAC  
 Insulation resistance: 2,000 megohms min. at 500VDC  
 Withstanding: 2,000VAC min.  
 Operating temperature: -40°C to +105°C  
 Wire strip length: 6.5mm  
 Wire range: 16 to 26AWG  
 Screw torque: 2.5 lb-inch



Series	Style	Pitch	Positions	Color
CMTB	MC420	XXX	XX	GN
Terminal block	Vertical closed end plug-able	350=3.50mm 381=3.81mm 500=5.00mm 508=5.08mm 762=7.62mm	02-20	GN=Green

RoHS compliant

Rev.	Description	Date	Approved	Drawing	Name	Date
				Approved	Howard	08/10/99
				Checked	Lizzy	08/10/99
				Drawn	Tina	08/10/99
				0.0 ± 0.35	0.00 ± 0.20	Angles ± 3'
				UNIT: mm		

**Central Components Manufacturing**  
 440 Lincoln Blvd., Middlesex, New Jersey 08846  
 Phone 732 469-5720 888 288-5152 Fax 732 469-1919

Part No.: **CMTB-MC420-381-XX-GN**

Description: Vertical closed end plug-able terminal block