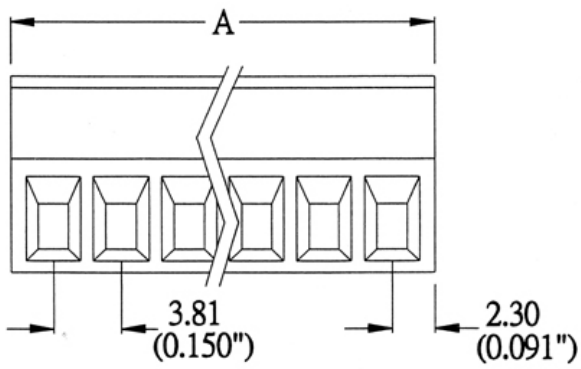
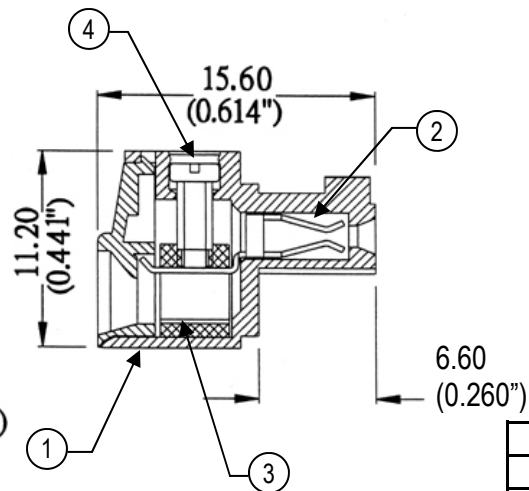
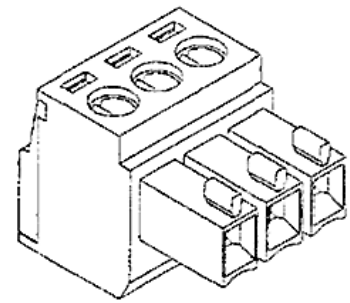


Pitch: 3.81mm (0.150")					
Poles	A(mm)	A(inch)	Poles	A(mm)	A(inch)
2	7.80	0.307	12	42.80	1.685
3	11.30	0.445	13	46.30	1.823
4	14.80	0.583	14	49.80	1.961
5	18.30	0.720	15	53.30	2.098
6	21.80	0.858	16	56.80	2.236
7	25.30	0.996			
8	28.80	1.134			
9	32.30	1.272			
10	35.80	1.409			
11	39.30	1.547			

Item	Name	Material	Finish
1	Insulating body	Polymide 66, UL94V-0	Green
2	Contact	Phosphor bronze	Tin
3	Cage clamp	Brass	Nickel
4	Screw	Steel	Zinc/chromium

SPECIFICATIONS
 Current rating: 10 amps
 Voltage rating: 300VAC
 Insulation resistance: 2,000 megohms min. at 500VDC
 Withstanding: 2,000VAC min.
 Operating temperature: -40°C to +105°C
 Wire strip length: 6.5mm
 Wire range: 16 to 26AWG
 Screw torque: 2.5 lb-inch



Series	Style	Pitch	Positions	Color
CMTB	MC420	XXX	XX	GN
Terminal block	Vertical closed end plug-able	350=3.50mm 381=3.81mm 500=5.00mm 508=5.08mm 762=7.62mm	02-16	GN=Green

RoHS compliant

Rev.	Description	Date	Approved	Drawing	Name	Date
				Approved	Howard	08/20/08
				Checked	Lizzy	08/20/08
				Drawn	Tina	08/20/08
				0.0 ± 0.35	0.00 ± 0.20	Angles ± 3'
				UNIT: mm		

Central Components Manufacturing
 440 Lincoln Blvd., Middlesex, New Jersey 08846
 Phone 732 469-5720 888 288-5152 Fax 732 469-1919

Part No.: **CMTB-MC420-350-XX-GN**

Description: Vertical closed end plug-able terminal block