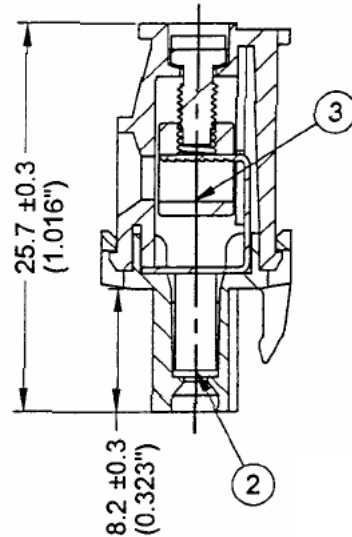
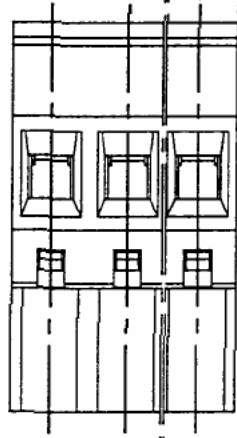


5.08 ± 0.1 (0.200")  
2.54 ± 0.2 (0.100")



Pitch 3.81mm (0.150")					
Poles	A(mm)	A(in)	Poles	A(mm)	A(in)
2	10.16	0.400	14	71.12	2.800
3	15.24	0.600	15	76.20	3.000
4	20.32	0.800	16	81.28	3.200
5	25.40	1.000	17	86.36	3.400
6	30.48	1.200	18	91.44	3.600
7	35.56	1.400	19	96.52	3.800
8	40.64	1.600	20	101.60	4.000
9	45.72	1.800	21	106.68	4.200
10	50.80	2.000	22	111.76	4.400
11	55.88	2.200	23	116.84	4.600
12	60.96	2.400	24	121.92	4.800
13	66.04	2.600			

**SPECIFICATIONS**

Voltage rating: 300VAC  
 Current rating: 8 amps  
 Contact material: Phosphor bronze  
 Contact plating: Tin  
 Insulator material: Polyamide 66, UL 94V-0  
 Insulation resistance: 2,000 megohms min.  
 Withstanding: 2,000 VAC for 1 min.  
 Cage clamp material: Brass  
 Cage clamp plating: Nickel  
 Screw material: Steel  
 Screw plating: Nickel  
 Operating temperature: -40°C to +105°C

Series	Type	Pitch	Positions	Color
CMTB	MC211	XXX	XX	GN
Terminal block	Plug, vertical	500=5.00mm 508=5.08mm (3.81mm available)	02-24	GN=Green

RoHS compliant

Rev.	Description	Date	Approved	Drawing	Name	Date
				Approved	Howard	08/10/99
				Checked	Lizzy	08/10/99
				Drawn	Tina	08/10/99
				0.0 ± 0.35	0.00 ± 0.20	Angles ± 3°
						UNIT: mm

**Central Components Manufacturing**  
 440 Lincoln Blvd., Middlesex, New Jersey 08846  
 Phone 732 469-5720 888 288-5152 Fax 732 469-1919

Part No.: **CMTB-MC211-XXX-XX-GN**

Description: Terminal block, plug, top screw, backside wire entry, with flanges