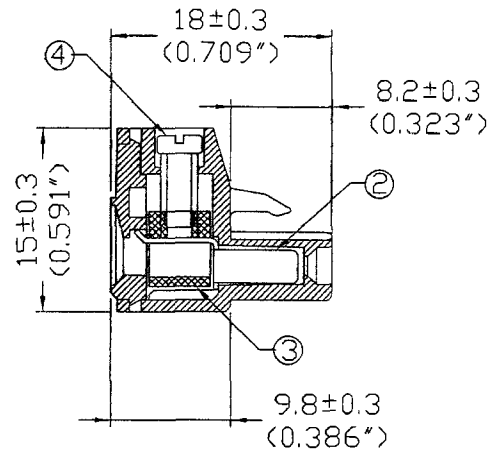
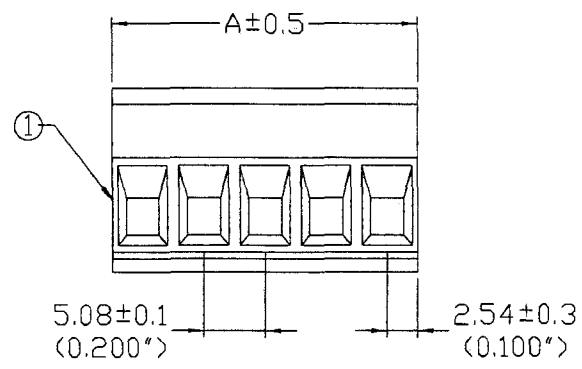


SPECIFICATIONS
 Current rating: 16 amps
 Voltage rating: 300 VAC
 Insulation resistance: 200 megohms at 500VDC
 Operating temperature: -40°C to +105°C
 Wire range: 14 to 24 AWG

| Dimension A | | |
|-------------|--------|--------|
| Pos. | mm | inches |
| 2 | 10.16 | 0.400 |
| 3 | 15.24 | 0.600 |
| 4 | 20.32 | 0.800 |
| 5 | 25.40 | 1.00 |
| 6 | 30.48 | 1.200 |
| 7 | 35.56 | 1.400 |
| 8 | 40.64 | 1.600 |
| 9 | 45.72 | 1.800 |
| 10 | 50.80 | 2.000 |
| 11 | 55.88 | 2.200 |
| 12 | 60.96 | 2.400 |
| 13 | 66.04 | 2.600 |
| 14 | 71.12 | 2.800 |
| 15 | 76.20 | 3.000 |
| 16 | 81.28 | 3.200 |
| 17 | 86.36 | 3.400 |
| 18 | 91.44 | 3.600 |
| 19 | 96.52 | 3.800 |
| 20 | 101.60 | 4.000 |
| 21 | 106.68 | 4.200 |
| 22 | 111.76 | 4.400 |
| 23 | 116.84 | 4.600 |
| 24 | 121.92 | 4.800 |
| 25 | 127.00 | 5.000 |



| Series | Type | Pitch | Positions | Color |
|-----------------|---|--------------------------------------|-----------|----------|
| CMTB | MC100 | XXX | XX | XX |
| Terminal blocks | Standard right angle plugable wire mount | 500=5.00mm pitch 508=5.08mm pitch | 2-25 | GN=Green |

RoHS compliant

| Rev. | Description | Date | Approved | Drawing | Name | Date |
|------|-------------|------|----------|------------|-------------|-------------|
| | | | | Approved | Howard | 08/10/99 |
| | | | | Checked | Lizzy | 08/10/99 |
| | | | | Drawn | Tina | 08/10/99 |
| | | | | 0.0 ± 0.35 | 0.00 ± 0.20 | Angles ± 3' |
| | | | | UNIT: mm | | |

Central Components Manufacturing
 440 Lincoln Blvd., Middlesex, New Jersey 08846
 Phone 732 469-5720 888 288-5152 Fax 732 469-1919

Part No.: **CMTB-MC100-508-XX-GN**

Description: Standard right angle plug-able wire mount terminal block