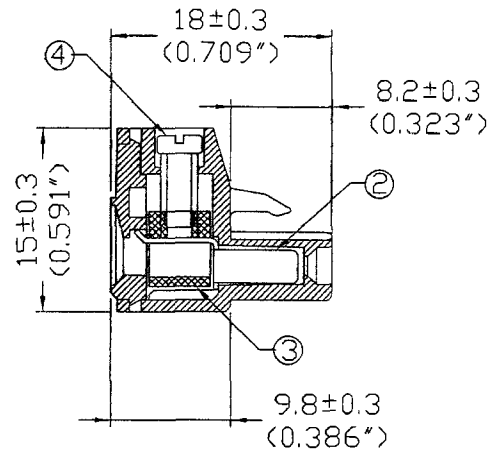
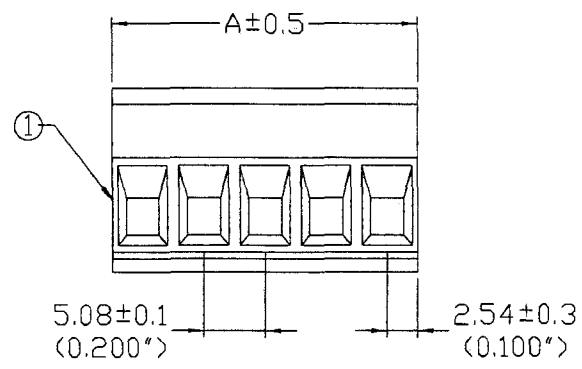


SPECIFICATIONS
 Current rating: 16 amps
 Voltage rating: 300 VAC
 Insulation resistance: 200 megohms at 500VDC
 Operating temperature: -40°C to +105°C
 Wire range: 14 to 24 AWG

Dimension A		
Pos.	mm	inches
2	10.00	.394
3	15.00	.591
4	20.00	.787
5	25.00	.984
6	30.00	1.181
7	35.00	1.378
8	40.00	1.575
9	45.00	1.772
10	50.00	1.969
11	55.00	2.165
12	60.00	2.362
13	65.00	2.559
14	70.00	2.756
15	75.00	2.953
16	80.00	3.150
17	85.00	3.346
18	90.00	3.543
19	95.00	3.740
20	100.00	3.937
21	105.00	4.134
22	110.00	4.331
23	115.00	4.528
24	120.00	4.724
25	125.00	4.921



RoHS compliant

Series	Type	Pitch	Positions	Color
CMTB	MC100	XXX	XX	XX
Terminal blocks	Standard right angle plugable wire mount	500=5.00mm pitch 508=5.08mm pitch	2-25	GN=Green

Rev.	Description	Date	Approved	Drawing	Name	Date
				Approved	Howard	08/10/99
				Checked	Lizzy	08/10/99
				Drawn	Tina	08/10/99
				0.0 ± 0.35	0.00 ± 0.20	Angles ± 3'
				UNIT: mm		

Central Components Manufacturing
 440 Lincoln Blvd., Middlesex, New Jersey 08846
 Phone 732 469-5720 888 288-5152 Fax 732 469-1919

Part No.: **CMTB-MC100-500-XX-GN**

Description: Standard right angle plug-able wire mount terminal block