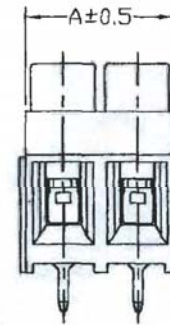
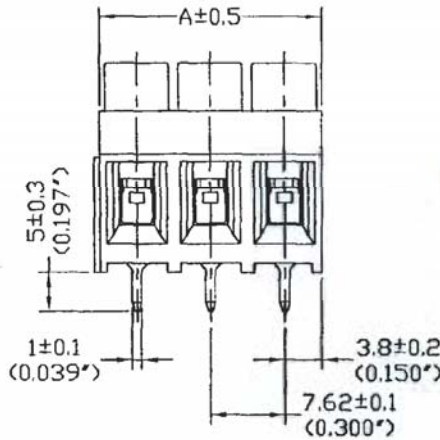
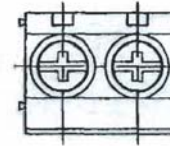
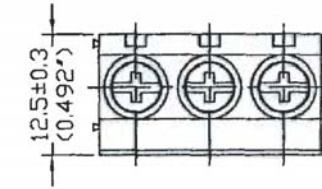
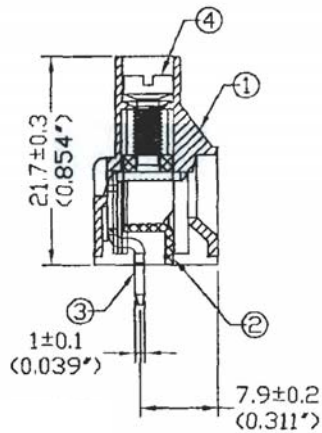
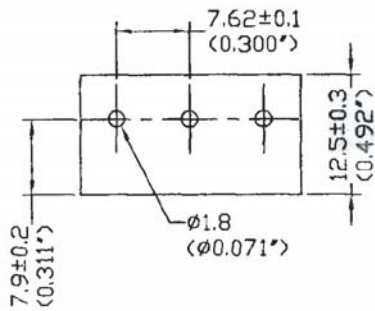


### PCB Layout



### SPECIFICATIONS

Current Rating: 30Amp AC600v  
 Insulation Resistance: 2000MΩ min. at DC500V  
 Insulation Withstanding: AC2000V min  
 Wire Strip Length: 4mm~5mm  
 Wire Range: 10~24 AWG  
 Screw Torque: 9.0 lb-inch  
 Operating Temp: -40°C to +105°C

Dimensions			
Poles	A (in)	Poles	A (in)
2	15.24 (.600)	15	114.30 (4.500)
3	22.86 (.900)	16	121.92 (4.800)
4	30.48 (1.200)	17	129.54 (5.100)
5	38.10 (1.500)	18	137.16 (5.400)
6	45.72 (1.800)	19	144.78 (5.700)
7	53.34 (2.100)	20	152.40 (6.000)
8	60.96 (2.400)	21	160.02 (6.300)
9	68.58 (2.700)	22	167.64 (6.600)
10	76.20 (3.000)	23	175.26 (6.900)
11	83.82 (3.300)	24	182.88 (7.200)
12	91.44 (3.600)		
13	99.06 (3.900)		
14	106.68 (4.200)		

RoHS compliant

Item	Name	Material	Finish
1	Insulating Body	Polyamide 66 (UL94V-0)	Green
2	Cage Clamp	Steel	Nickel Plated
3	Terminal	Brass	Tin Plated
4	Screw	Steel	Nickel Plated

Series	Type	Pitch	Positions	Color
CMTB	MB910M	XXX	XX	GN
Terminal Block	Type MB910, Vertical, Modular available in R/A	762=7.62mm 635=6.35mm 952=9.52mm	02-24	GN=Green

Rev.	Description	Date	Approved	Drawing	Name	Date
				Approved	Howard	01/20/09
				Checked	Lizzy	01/20/09
				Drawn	Tina	01/20/09
				0.0 ± 0.35	0.00 ± 0.20	Angles ± 3'
				UNIT: mm		



### Central Components Manufacturing

440 Lincoln Blvd., Middlesex, New Jersey 08846  
 Phone 732 469-5720 888 288-5152 Fax 732 469-1919

Part No.: **CMTB-MB910M-762-XX-GN**

Description: Terminal Block, MB910 Type, virtual